

Datasheet - IFO 8-30-10/01

Photo-electric proximity switches / Housing construction form: cylinder, thread / IFO - M30

 Preferred typ


- Design M30
- Metal enclosure
- AC 2-wire
- Wiring compartment can be turned 180°

(Minor differences between the printed image and the original product may exist!)

Ordering details

Product type description	IFO 8-30-10/01
Article number	101149285
EAN Code	4030661150833
eCl@ss	27-27-09-02

Global Properties

Permanent light	IFO - M30
Standards	IEC/EN 60947-5-2; DIN VDE 0660-208
Compliance with the Directives (Y/N) 	Yes
Operating resource protection class	Protection class 2
Materials	
- Material of the housings	Brass
- Material of the nuts	Brass
- Material of the active surface	Plastic
Housing coating	nickel-plated
Housing construction form	cylinder, thread
Weight	140
Push button function	bright/dark switching
Detection range S_d	max. 800 mm
Range	0,8
Time function (Y/N)	No

Preliminary failure signal possible (Y/N) No

Mechanical data

• Wiring compartment

Design of electrical connection	Screw connection
Cable entry	M16 x 1.5
Cable section	
- Min. Cable section	
- Max. Cable section	2 x 1.5
AWG-Number	15
Reduction factor 1 met (Y/N)	No
Protection circuit	inductive interference protection
Pressure resistant (Y/N)	No
Tightening torque for nuts	A/F 36 max. 3000 Ncm

Ambient conditions

Ambient temperature	
- Min. environmental temperature	0
- Max. environmental temperature	+70
Protection class	IP65 to IEC/EN 60529

Electrical data

Design of control element	Normally open contact (NO) or Opener (NC)
Number of wire	2
Voltage type	AC, alternating current
Supply voltage U_B	
- Min. supply voltage	15
- Max. supply voltage	250
Rated supply frequency	45 ... 65
Switch frequency	approx. 10 HZ
Voltage drop U_d	approx. 7 V (250 V / 500 mA)
Rated impulse withstand voltage U_{imp}	max. 10 kV
Residual current I_r	3 mA
Minimum operating current I_m	10 mA
Operating current I_e	500 mA
notice	Programmable NO contact (Load switched with reflection / light-operated) or NC contact (Load not switched with reflection / dark-operated) Programmable by repositioning the plug-in jumper at the terminal screws.

Outputs

Design of control output	Two-wire
--------------------------	----------

LED switching conditions display

LED switching conditions display (Y/N)	Yes
- yellow LED	

ATEX

Explosion protection categories for gases	None
---	------

Dimensions

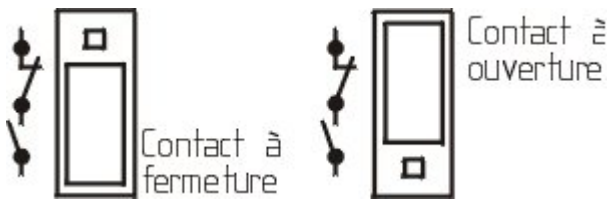
Dimensions of the sensor

- Width of sensor	46
- Height of sensor	46
- Length of sensor	118
- Diameter of sensor	M30

notice

Instead of nuts, a mounting clamp can be provided.

Diagram



Note Diagram

- positive break NC contact
- active
- no active
- Normally-open contact
- Normally-closed contact

Ordering code

IFO (1)-(2)-(3)(4)

(1)

8

Switch distance 800 mm

10

Switch distance 1000 mm

(2)

30

cylinder, thread M30, Metal film

300

cylinder, thread M30, Plastic

(3)

01

Opener (NC)

10

Normally open contact (NO)

10/01

Normally open contact (NO) / Opener (NC) with Wiring compartment

11

Normally open contact (NO) / Opener (NC) antivalent

(4)

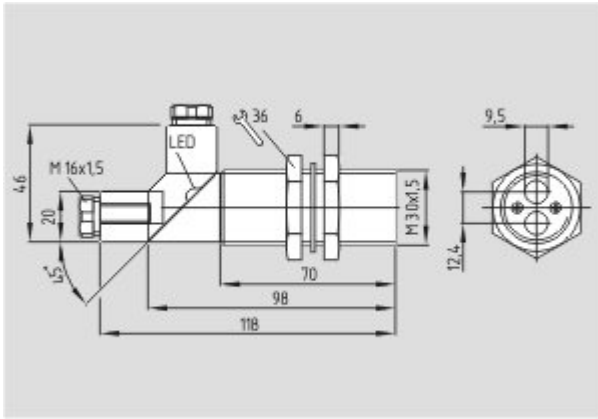
without

Design of control output Two-wire

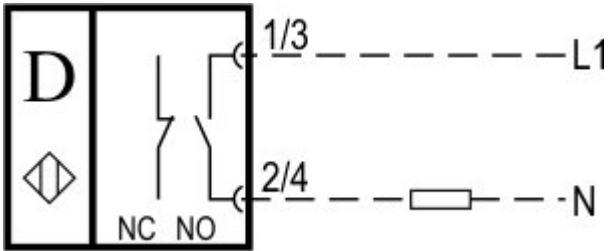
P

p-type

Images



Dimensional drawing (basic component)



Diagram

System components

Mounting accessories



101068520 - MOUNTING CLAMP H 30

- For a smooth fitting of the proximity switches with cylindric shape \varnothing 30 mm or thread M30

K.A. Schmersal GmbH & Co. KG, Möddinghofe 30, D-42279 Wuppertal

The data and values have been checked thoroughly. Technical modifications and errors excepted.

Generiert am 13.02.2019 - 13:13:41h Kasbase 3.3.0.F.64I