

## Datasheet - SD-I-U-EC

Accessories SD interface / Gateway / SD-I-U



- UNIVERSAL Gateway for the series-wiring of the diagnostic signals of safety switchgear with integrated SD interface.
- Comprehensive volumes of status and diagnostic data of the SD devices are transmitted to the control system through the field bus interface.
- Series-wiring of the diagnostic lines of max. 31 safety switchgear
- Series-wiring of different devices possible
- Reduced wiring efforts and costs as a result of the series-wiring of the safety channels and the diagnostic cables in the field.
- Automatic addressing of the safety switchgear in the SD interface

(Minor differences between the printed image and the original product may exist!)

### Ordering details

Product type description	SD-I-U-EC
Article number	103008132
EAN Code	
eCl@ss	27-27-24-90

### Approval

Approval	None
----------	------

### Global Properties

Permanent light	UNIVERSAL-Gateway
Standards	-
Compliance with the Directives (Y/N) 	Yes
Mounting	snaps onto standard DIN rail to EN 60715
Weight	200

### Mechanical data

Design of electrical connection	Cage clamps
resistance to shock	10 g
Resistance to vibration To EN 60068-2-6	10 ... 57 HZ, Amplitude 0,35 mm;

## Ambient conditions

---

Ambient temperature	
- Min. environmental temperature	0
- Max. environmental temperature	+55
Storage and transport temperature	
- Min. Storage and transport temperature	-25
- Max. Storage and transport temperature	+75
Relative humidity	30 ... 85 non-condensing
Protection class	
- Protection class-Enclosure	IP20
Air clearances and creepage distances To IEC/EN 60664-1	
- Rated impulse withstand voltage $U_{imp}$	0,5 kV
- Overvoltage category	II To VDE 0110
- Degree of pollution	2 To VDE 0110

## Electromagnetic compatibility (EMC)

---

EMC rating	
- to EN 61000-4-2	± 6 kV contact discharge ± 8 kV Air discharge
- to EN 61000-4-3	10 V/m, 80 % AM
- to EN 61000-4-4	± 1 kV all connections
- to EN 61000-4-5	± 1 kV all connections
- to EN 61000-4-6	10 V all connections
Interfering radiation	to IEC 61000-6-4 (2002)

## Interface

---

Interface	EtherCAT
-----------	----------

## Electrical data

---

Rated insulation voltage $U_i$	32 V
Rated operating voltage $U_e$	24 VDC, - 15 % / + 20 % (stabilised PELV)
Operating current $I_e$	max. 500 mA
Max. fuse rating	external fuse 1 A slow blow

## LED switching conditions display

---

LED switching conditions display (Y/N)	Yes
Number of LED's	1

## Miscellaneous data

---

Applications



Guard system



Safety sensor

## Dimensions

---

## Dimensions

- Width	50 mm
- Height	100 mm
- Depth	80 mm

## Keywords

---

Search keys

PROFIBUS, UNIVERSAL-Gateway

## Documents

---

### Mounting and wiring instructions (de, en, fr) 811 kB, 29.10.2010

Code: m\_sdip07

### Technical Description (en) 465 kB, 25.08.2015

Code: tb\_sd-i-u-ec\_en

### Configuration software (en) 97 kB, 26.08.2015

Code: ks\_sd-i-u-ec\_en

### Brochure (de) 6 MB, 15.02.2018

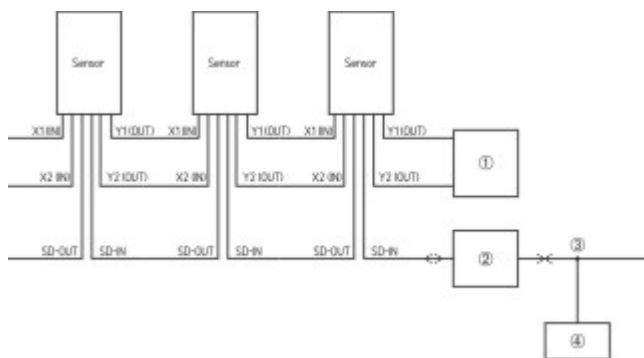
Code: b\_css\_brosch09\_de

### Brochure (en) 6 MB, 15.02.2018

Code: b\_css\_brosch09\_en

## Images

---



Wiring example

---

K.A. Schmersal GmbH & Co. KG, Möddinghofe 30, D-42279 Wuppertal

The data and values have been checked thoroughly. Technical modifications and errors excepted.

Generiert am 13.02.2019 - 12:38:36h Kasbase 3.3.0.F.64I