

Datasheet - EX-AZ 3350-12ZUEK-U90-3D

Safety switch with separate actuator / EX-AZ 3350



- Metal enclosure
- Actuating head rotated by 90°
- Latching handle
- Long life
- Centring device available
- 40,5 mm x 114 mm x 38 mm
- SZ 415 lockout tag to prevent unintended closing
- High level of contact reliability with low voltages and currents
- 1 Cable entry M 20 x 1.5
- Ex-certified screwed cable gland
- Ex certified

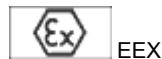
(Minor differences between the printed image and the original product may exist!)

Ordering details

Product type description	EX-AZ 3350-12ZUEK-U90-3D
Article number	EX-AZ 3350-12ZUEK-U90-3D
EAN Code	
To order, first choose the desired safety switch and then the door handle system	
eCl@ss	27-27-26-02

Approval

Approval




EEX

Classification

Standards	EN ISO 13849-1
B10d Normally-closed contact (NC)	2.000.000
B10d Normally open contact (NO)	1.000.000
- notice	at 10% I _e and ohmic load
Mission time	20 Years
notice	$MTTF_d = \frac{B_{10d}}{0,1 \times n_{op}}$ $n_{op} = \frac{d_{ap} \times h_{op} \times 3600 \text{ s/h}}{t_{cycle}}$

Global Properties

Permanent light	EX-AZ 3350
Standards	Ex tD A22 IP67 T90°C X, EN 60947-5-1, EN 61241-1, BG-GS-ET-15
Compliance with the Directives (Y/N) 	Yes
Materials	
- Material of the housings	light alloy die-casting
- Material of the contacts	Silver
Housing coating	painted
Weight	
Recommended combinations	AZ 3350-ST330-02, AZ 3350-ST330-04, AZ 3350-ST330-05, AZ 3350-ST330-07

Mechanical data

Design of electrical connection	Screw connection
Cable cross-section of the cable glands	
- Min. Cable cross-section of the cable glands	Ø 6
- Max. Cable cross-section of the cable glands	Ø 12
Cable section	
- Min. Cable section	0,75
- Max. Cable section	2.5
Mechanical life	1.000.000 operations
notice	All indications about the cable section are including the conductor ferrules.
higher Latching force (Y/N)	No
Shearing force	15.000
Positive break force	5 N for each NC contact fitted
positive break travel	10.7
Door hinge	left
Max. Actuating speed	1

Ambient conditions

Ambient temperature	
- Min. environmental temperature	-10
- Max. environmental temperature	+60
Protection class	IP67 to IEC/EN 60529

Electrical data

Design of control element	Normally open contact (NO), Opener (NC)
Switching principle	Creep circuit element
Number of auxiliary contacts	1
Number of safety contacts	2
Rated impulse withstand voltage U_{imp}	4 kV
Rated insulation voltage U_i	250 V
Thermal test current I_{the}	10 A
Utilisation category	AC-15: 230 V / 4 A, DC-13: 24 V / 4 A
Max. fuse rating	6 A gG D-fuse

ATEX

Explosion protection categories for gases	None
Explosion protection Zones for gases	None
Explosion protected category for dusts	ATEX dust ex-protection, Cat. 3

Dimensions

Dimensions of the sensor

- Width of sensor	40.5
- Height of sensor	114
- Length of sensor	38

Included in delivery

Including Ex-certified screwed cable gland and screw plug

Mounting plate for safety switch

Actuator incl. mounting plate

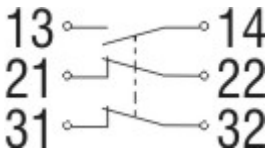
emergency handle

Keywords


Keywords

Ex, EEx, ATEX, Ex AZ 3350, Ex AZ 3350 AZ 3350 Ex, AZ3350 ex, AZ3350ex, ATEX AZ3350


Diagram

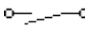


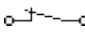
Note Diagram

 positive break NC contact

 active

 no active

 Normally-open contact

 Normally-closed contact

Ordering suffix

The applicable ordering suffix is added at the end of the part number of the safety switch.

Order example: EX-AZ 3350-12ZUEK-U90-3D-**1637**

...-**1637**

0,3 µm gold-plated contacts

Ordering code

EX-AZ 3350-(1)-(2)-(3)-3D

(1)

03ZK

3 Opener (NC)

12ZUEK

1 Normally open contact (NO) / 2 Opener (NC)

(2)

without

-

1637

gold-plated contacts

(3)

U90

Actuating head rotated by 90° for Door hinge left

U270

Actuating head rotated by 270° for Door hinge right

Documents

Operating instructions and Declaration of conformity (es) 280 kB, 09.10.2017

Code: mrl_ex-az3350_es

Operating instructions and Declaration of conformity (pt) 284 kB, 10.10.2017

Code: mrl_ex-az3350_pt

Operating instructions and Declaration of conformity (de) 545 kB, 04.03.2015

Code: mrl_ex-az3350_de

Operating instructions and Declaration of conformity (de) 280 kB, 28.09.2017

Code: mrl_ex-az3350_de

Operating instructions and Declaration of conformity (fr, pl) 321 kB, 01.02.2018

Code: mrl_ex-az3350_pl

Operating instructions and Declaration of conformity (jp) 879 kB, 15.06.2011

Code: mrl_ex-az3350_jp

Operating instructions and Declaration of conformity (nl) 305 kB, 16.07.2018

Code: mrl_ex-az3350_nl

Operating instructions and Declaration of conformity (en) 543 kB, 04.03.2015

Code: mrl_ex-az3350_en

Operating instructions and Declaration of conformity (en) 282 kB, 28.09.2017

Code: mrl_ex-az3350_en

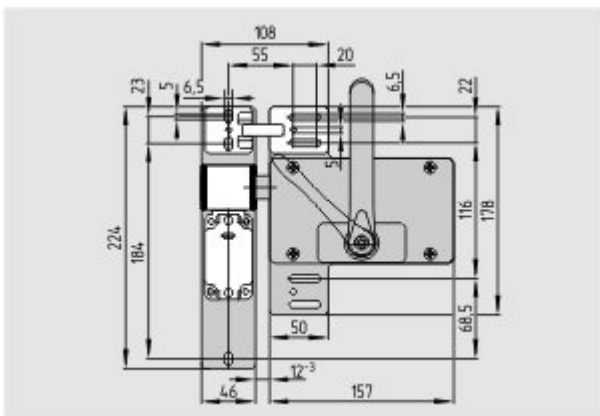
Operating instructions and Declaration of conformity (it) 280 kB, 10.10.2017

Code: mrl_ex-az3350_it

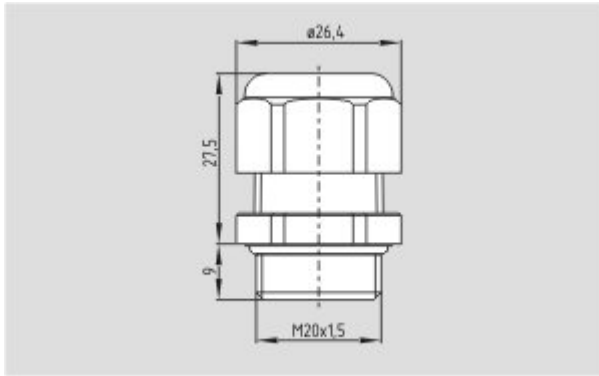
Operating instructions and Declaration of conformity (fr) 285 kB, 13.10.2017

Code: mrl_ex-az3350_fr

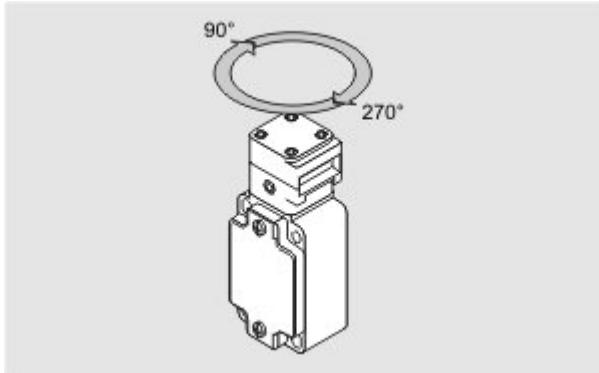
Images



Dimensional drawing (miscellaneous)



Dimensional drawing (miscellaneous)



Application

System components

Accessories



Lockout tag SZ 415

- Suitable for mounting inside and outside of the hazardous area
- To prevent inadvertent closing, e.g. during maintenance
- For complex plant
- Prevents actuation of the switch
- Lockout tag with 3 circular holes



Centring device

- Pre-positioning
- The actuator is independent from the centring device.
- Smooth insertion or retraction of the actuator

K.A. Schmersal GmbH & Co. KG, Möddinghofe 30, D-42279 Wuppertal

The data and values have been checked thoroughly. Technical modifications and errors excepted.

Generiert am 13.02.2019 - 14:39:46h Kasbase 3.3.0.F.64I