

## Datasheet - AZ/AZM 415-B2

Safety switch with separate actuator / AZ 415 / Actuator AZ 415



Preferred typ

- Particularly suitable for hinged guards
- For very small actuating radii in line with the plane of the actuator



(Minor differences between the printed image and the original product may exist!)

### Ordering details

Product type description	AZ/AZM 415-B2
Article number	101144796
EAN Code	4030661134307
eCl@ss	27-27-92-16

### Global Properties

Permanent light	Beweglicher Betätiger AZ/AZM 415-B2
Weight	160

### Mechanical data

Design of actuators	flexible, straight
Minimum actuating radius	250

### notice

The axis of the hinge should be 36 mm above the top edge of the safety switch and in the same plane

Removal of the actuator can be prevented by fitting dowel pins in the holes provided.

The actuator can be brought into any desired position by adjustment of the hexagonal key wrench (a).

This actuator can also be used for sliding doors.

Actuating radius adjustable, minimum 250, using an hexagonal key wrench 4 A/F

## Documents

---

**Operating instructions and Declaration of conformity (nl)** 143 kB, 01.08.2018

Code: mrl\_az-azm415-b\_nl

**Operating instructions and Declaration of conformity (ro)** 315 kB, 25.01.2012

Code: mrl\_az-azm415-b\_ro

**Operating instructions and Declaration of conformity (fr)** 127 kB, 05.06.2018

Code: mrl\_az-azm415-b\_fr

**Operating instructions and Declaration of conformity (es)** 148 kB, 05.06.2018

Code: mrl\_az-azm415-b\_es

**Operating instructions and Declaration of conformity (pt)** 146 kB, 13.08.2018

Code: mrl\_az-azm415-b\_pt

**Operating instructions and Declaration of conformity (pl)** 155 kB, 06.09.2018

Code: mrl\_az-azm415-b\_pl

**Operating instructions and Declaration of conformity (jp)** 415 kB, 17.02.2012

Code: mrl\_az-azm415-b\_jp

**Operating instructions and Declaration of conformity (de)** 134 kB, 22.05.2018

Code: mrl\_az-azm415-b\_de

**Operating instructions and Declaration of conformity (da)** 316 kB, 06.01.2012

Code: mrl\_az-azm415-b\_da

**Operating instructions and Declaration of conformity (it)** 314 kB, 28.02.2012

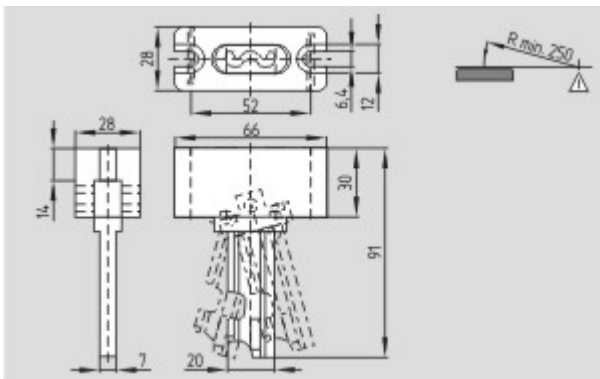
Code: mrl\_az-azm415-b\_it

**Operating instructions and Declaration of conformity (en)** 151 kB, 22.05.2018

Code: mrl\_az-azm415-b\_en

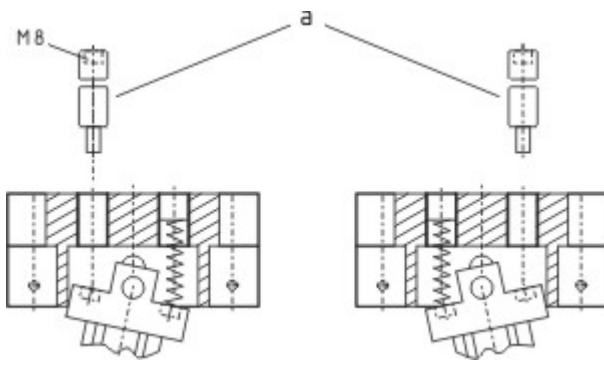
## Images

---



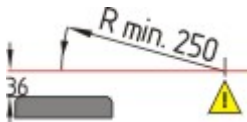
Dimensional drawing (miscellaneous)

---



Dimensional drawing (miscellaneous)

---



Actuating radius

---

K.A. Schmersal GmbH & Co. KG, Mödinghofe 30, D-42279 Wuppertal  
The data and values have been checked thoroughly. Technical modifications and errors excepted.  
Generiert am 13.02.2019 - 14:39:06h Kasbase 3.3.0.F.64I