

Datasheet - NDP50SW

Command and signalling devices / Push buttons and pilot lights - "N" Program / NDP -
Mushroom button



(Minor differences between the printed image and the original product may exist!)

Ordering details

| | |
|--------------------------|---------------|
| Product type description | NDP50SW |
| Article number | 101163572 |
| EAN Code | 4250116200085 |
| eCl@ss | 27-37-12-12 |

Approval

Approval



Global Properties

| | |
|--------------------------------------|------------------------------|
| Permanent light | NDP - Schlagtaster |
| Standards | IEC/EN 60947-1, EN 60947-5-1 |
| Compliance with the Directives (Y/N) | No |
| Suitable for safety functions (Y/N) | No |
| Mounting | mounting flange EFM |
| Materials | |
| - Material of the operators | ABS |
| - Material of the front ring | ABS, Chromium-plated |
| - Material of the bellows | Silicone |

| | |
|-----------------------------------|---|
| Design | round |
| Form | Round |
| Color | |
| - Colour of the operating element | <input checked="" type="checkbox"/> Black |
| - Colour of the bellows | <input type="checkbox"/> White |
| - Colour of the front ring | <input type="checkbox"/> Silver |
| Weight | 50 |
| Manner of using | Push button |
| Can be illuminated (Y/N) | No |

Mechanical data

| | |
|-------------------------------------|-----|
| Actuating stroke | 5 |
| Latching (Y/N) | No |
| Probing possible (Y/N) | No |
| mounting flange available (Y/N) | Yes |
| Front plate thickness | |
| - min. front plate thickness | 1.5 |
| - max. front plate thickness | 6 |
| Tightening torque for fixing screws | 0,6 |

Ambient conditions

| | |
|--|--------------------|
| Ambient temperature | |
| - Min. environmental temperature | -25 |
| - Max. environmental temperature | +80 |
| Storage and transport temperature | |
| - Min. Storage and transport temperature | - |
| - Max. Storage and transport temperature | - |
| Fully insulated (Y/N) | Yes |
| Sealing type | membrane, lip seal |
| Protection type IP | IP67, IP69K |

Dimensions

| | |
|-------------------------------------|------------|
| Dimensions | |
| - Height | 45 mm |
| - diameters for the actuating heads | Ø 50 |
| - Hole, diameter | 22.3 + 0,4 |
| Spacing | 50 x 50 |

Documents

Operating instructions and Declaration of conformity (it) 2 MB, 14.06.2017

Code: mrl_programme-e-n-r_it

Operating instructions and Declaration of conformity (en) 1 MB, 06.11.2018

Code: mrl_programme-e-n-r_en

Operating instructions and Declaration of conformity (pl) 2 MB, 12.10.2017

Code: mrl_programme-e-n-r_pl

Operating instructions and Declaration of conformity (jp) 2 MB, 28.06.2017

Code: mrl_programme-e-n-r_jp

Operating instructions and Declaration of conformity (pt) 2 MB, 31.05.2017

Code: mrl_programme-e-n-r_pt

Operating instructions and Declaration of conformity (de) 1 MB, 06.11.2018

Code: mrl_programme-e-n-r_de

Operating instructions and Declaration of conformity (es) 1 MB, 05.12.2018

Code: mrl_programme-e-n-r_es

Operating instructions and Declaration of conformity (nl) 1 MB, 05.12.2018

Code: mrl_programme-e-n-r_nl

Operating instructions and Declaration of conformity (fr) 1 MB, 05.12.2018

Code: mrl_programme-e-n-r_fr

Operating instructions and Declaration of conformity (cn) 2 MB, 21.06.2017

Code: mrl_programme-e-n-r_cn

BG-test certificate (de, en, fr) 174 kB, 31.07.2014

Code: z_ndrp01

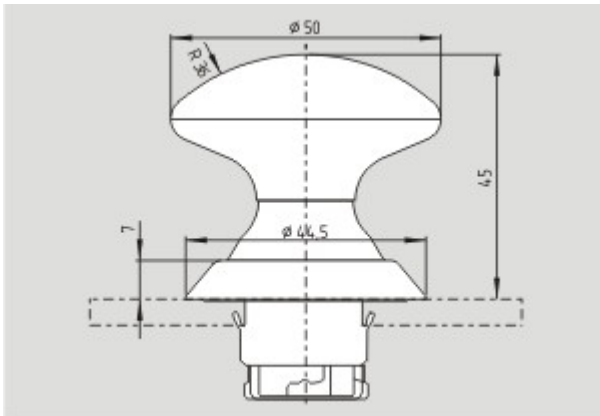
IPA Data (en) 248 kB, 09.11.2012

Code: i_ipap02

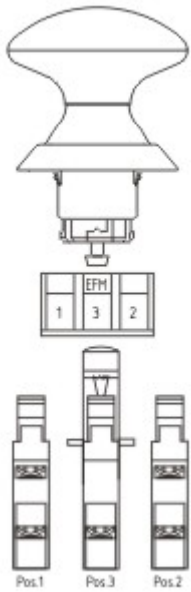
IPA Data (de) 255 kB, 05.09.2014

Code: i_ipap01

Images



Dimensional drawing (basic component)



Application

System components

Accessories



101014388 - EFM

contact element



contact element EF - (N)

- Flat plug-in connector
 - Mounting flange position 2
 - 21-22 (Contact labelling)
-

K.A. Schmersal GmbH & Co. KG, Möddinghofe 30, D-42279 Wuppertal

The data and values have been checked thoroughly. Technical modifications and errors excepted.

Generiert am 13.02.2019 - 12:53:33h Kasbase 3.3.0.F.64I