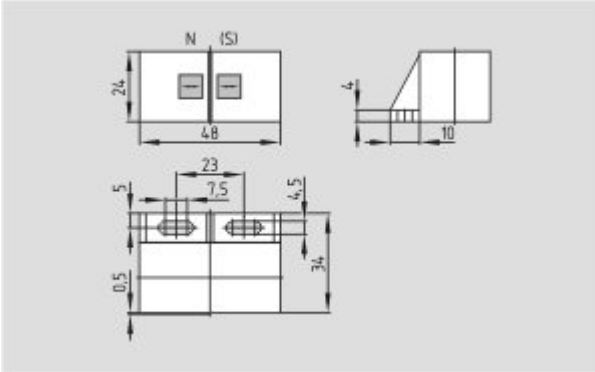


## Datasheet - BP 31 N

Magnetic reed switch / Actuator



Preferred typ



(Minor differences between the printed image and the original product may exist!)

- thermoplastic enclosure
- N-pole marked green
- Suitable for mounting on ferrous material with a distance of 20 mm

### Ordering details

Product type description	BP 31 N
Article number	101057520
EAN Code	4030661027166
eCl@ss	27-27-92-17

### Global Properties

Permanent light	Magnet
Weight	90
Special characteristics	thermoplastic enclosure

### Dimensions

Dimensions of the actuators	
- Width of the actuator	48
- Height of the actuator	34
- Length of the actuator	24

### Images



Product photo

---

K.A. Schmersal GmbH & Co. KG, Möddinghofe 30, D-42279 Wuppertal

The data and values have been checked thoroughly. Technical modifications and errors excepted.

Generiert am 13.02.2019 - 13:10:32h Kasbase 3.3.0.F.64I