

Datasheet - AZM 161SK-12/12RITU-024-B6L

Solenoid interlock / AZM 161I / AZM 161I-B6L



- left-hand model
- Compact design
- For very small actuating radii in line with or at 90° to the plane of the actuator
- Interlock with protection against incorrect locking.
- Individual coding
- Coding level "High" according to ISO 14119
- Double-insulated
- High holding force
- Long life
- 130 mm x 90 mm x 30 mm
- 1 Cable entry M 20 x 1.5
- Screw connection
- Emergency exit, rear

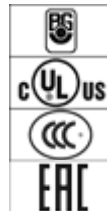
(Minor differences between the printed image and the original product may exist!)

Ordering details

| | |
|--------------------------|-----------------------------|
| Product type description | AZM 161SK-12/12RITU-024-B6L |
| Article number | 101215867 |
| EAN Code | 4030661405032 |
| eCl@ss | 27-27-26-03 |

Approval


Approval



Classification

| | |
|-----------------------------------|--|
| Standards | EN ISO 13849-1 |
| B10d Normally-closed contact (NC) | 2.000.000 |
| Mission time | 20 Years |
| notice | $MTTF_d = \frac{B_{10d}}{0,1 \times n_{op}}$ $n_{op} = \frac{d_{op} \times h_{op} \times 3600 \text{ s/h}}{t_{cycle}}$ |

Global Properties

| | |
|--|---|
| Permanent light | AZM 1611 |
| Standards | EN 60947-5-1, BG-GS-ET-19 |
| Compliance with the Directives (Y/N)  | Yes |
| Number of actuating directions | 3 |
| Active principle | electromechanical |
| - Individual coding | |
| - Coding level "High" according to ISO 14119 | |
| Duty cycle | Magnet 100 |
| Materials | |
| - Material of the housings | glass-fibre reinforced thermoplastic, Plastic self-extinguishing, |
| - Material of the actuator | Stainless steel |
| - Material of the contacts | Silver |
| Housing coating | None |
| Weight | 525 |

Mechanical data

| | |
|----------------------------------|---|
| Design of electrical connection | Screw connection |
| Cable section | |
| - Min. Cable section | 1 x 0,25 |
| - Max. Cable section | 1 x 1.5, flexible |
| Mechanical life | > 1.000.000 operations |
| notice | All indications about the cable section are including the conductor ferrules. |
| Emergency unlocking device (Y/N) | Yes |
| Manual release (Y/N) | No |
| Emergency release (Y/N) | No |
| Latching force | 30 |
| Positive break force | 20 |
| positive break travel | 10 |
| Clamping force | 2000 |
| Max. Actuating speed | 2 |
| Minimum actuating radius | 95 |
| Actuating frequency | 1000 / |

Ambient conditions

| | |
|----------------------------------|----------------------|
| Ambient temperature | |
| - Min. environmental temperature | -25 |
| - Max. environmental temperature | +60 |
| Protection class | IP67 to IEC/EN 60529 |

Electrical data


| | |
|---------------------------------|---|
| Design of control element | Normally open contact (NO), Opener (NC) |
| Switching principle | Creep circuit element |
| Number of auxiliary contacts | 2 |
| Number of safety contacts | 4 |
| Power to unlock | Yes |
| Power to lock | No |
| Rated control voltage | 24 V/DC |
| Power consumption | 10 |
| Rated impulse withstand voltage | 4 |

| | |
|--------------------------|---|
| Rated insulation voltage | 250 |
| Thermal test current | 6 A |
| Utilisation category | AC-15: 230 V / 4 A DC-13: 24 V / 2,5 A |
| Max. fuse rating | 6 A gG D-fuse To DIN EN 60269-1 |

ATEX

| | |
|---|------|
| Explosion protection categories for gases | None |
| Explosion protected category for dusts | None |

Miscellaneous data

| | |
|--------------|--|
| Applications |  sliding safety guard,  removable guard,  hinged safety guard |
|--------------|--|

Dimensions

| | |
|--------------------------|-----|
| Dimensions of the sensor | |
| - Width of sensor | 130 |
| - Height of sensor | 90 |
| - Length of sensor | 30 |

notice

Actuating radius adjustable, minimum 95 mm, using an hexagonal key wrench 2 mm A/F (a)

The actuator is not available separately.

The axis of the hinge should be 11 mm above the top edge of the safety switch and in the same plane

Manual release

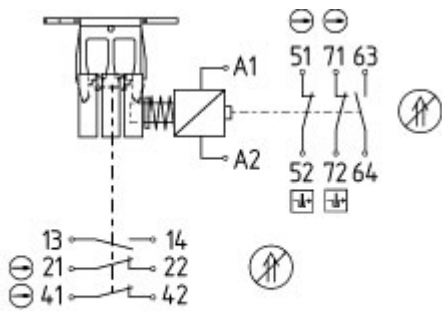
- For maintenance, installation, etc.
- For manual release using M5 triangular key, available as accessory
- Top-side (ordering suffix -ED) or rear-side (ordering suffix -EU) mounting possible
- The emergency exit is used where an intervention in an already locked hazardous area is required
- Emergency exit by pressing the red push button
- Resetting by pulling on the red latched button
- Top-side (ordering suffix -TD) or rear-side (ordering suffix -TU) mounting possible
- A combination of manual release and emergency exit in different mounting directions is only possible for the following variants: -ED/-TU and -TD/-EU

Included in delivery

Included in delivery

- Individually coded actuator
- tamperproof screws
- Slot sealing plugs

Diagram

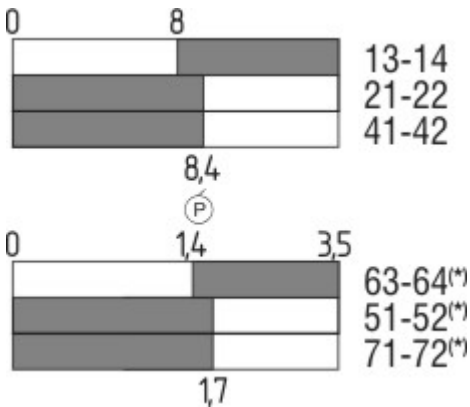


| | | | | | | | | | | | | | |
|----|----|----|----|----|----|----|----|----|----|----|----|----|----|
| 13 | 14 | 21 | 22 | 41 | 42 | 51 | 52 | 63 | 64 | 71 | 72 | A1 | A2 |
|----|----|----|----|----|----|----|----|----|----|----|----|----|----|

Note Diagram

- positive break NC contact
- active
- no active
- Normally-open contact
- Normally-closed contact

Switch travel diagram



Notes Switch travel diagram

- Contact closed
- Contact open
- Setting range
- Break point
- Positive opening sequence/- angle
- VS** adjustable range of NO contact
- VÖ** adjustable range of NC contact
- N** after travel

Ordering suffix

The applicable ordering suffix is added at the end of the part number of the safety switch.

Order example: AZM 161SK-12/12RITU-024-B6L-**1637**

....-**1637**

0,3 µm gold-plated contacts

Documents

Operating instructions and Declaration of conformity (en) 574 kB, 16.11.2017

Code: mrl_azm161i_en

Operating instructions and Declaration of conformity (jp) 767 kB, 12.04.2016

Code: mrl_azm161i_jp

Operating instructions and Declaration of conformity (nl) 620 kB, 29.11.2017

Code: mrl_azm161i_nl

Operating instructions and Declaration of conformity (da) 618 kB, 21.11.2017

Code: mrl_azm161i_da

Operating instructions and Declaration of conformity (de) 577 kB, 16.11.2017

Code: mrl_azm161i_de

Operating instructions and Declaration of conformity (pl) 648 kB, 29.11.2017

Code: mrl_azm161i_pl

Operating instructions and Declaration of conformity (es) 617 kB, 23.11.2017

Code: mrl_azm161i_es

Operating instructions and Declaration of conformity (pt) 623 kB, 29.11.2017

Code: mrl_azm161i_pt

Operating instructions and Declaration of conformity (sv) 619 kB, 29.11.2017

Code: mrl_azm161i_sv

Operating instructions and Declaration of conformity (cs) 640 kB, 21.11.2017

Code: mrl_azm161i_cs

Operating instructions and Declaration of conformity (it) 618 kB, 29.11.2017

Code: mrl_azm161i_it

Operating instructions and Declaration of conformity (fr) 624 kB, 23.11.2017

Code: mrl_azm161i_fr

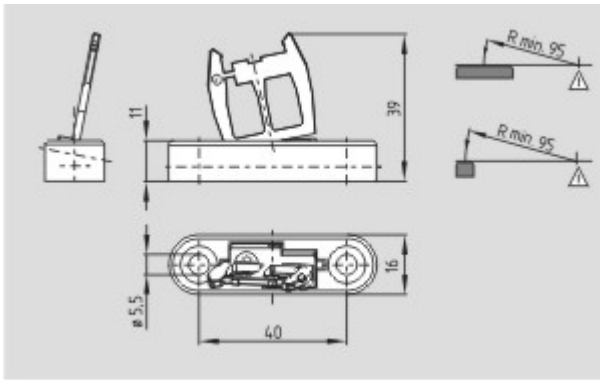
EAC certification (ru) 809 kB, 05.10.2015

Code: q_6040p17_ru

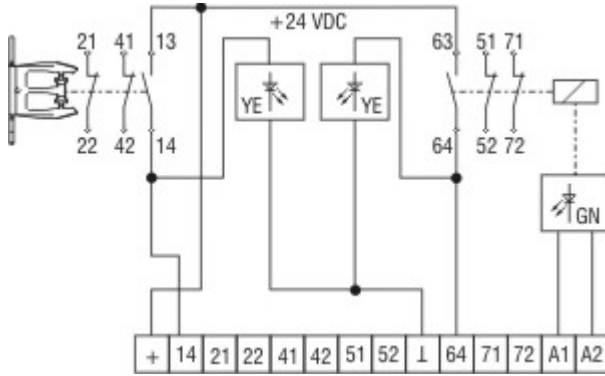
Images



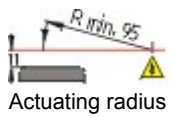
Product photo



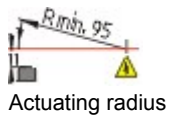
Dimensional drawing (actuator)



Diagram



Actuating radius



Actuating radius