

Datasheet - EX-T. 441-11Y-14-1276-2

Slack-wire switch / EX-441 Slack-wire switch



- Suitable for heavy duty
- 2 cable entries

(Minor differences between the printed image and the original product may exist!)

Ordering details


Product type description	EX-T. 441-11Y-14-1276-2
Article number	EX-T. 441-11Y-14-1276-2
EAN Code	
eCl@ss	27-27-26-01

Approval

Approval



Global Properties

Permanent light	EX-441 Schlaffseilschalter
Standards	EN 60947-5-1
Compliance with the Directives (Y/N) 	Yes
Suitable for safety functions (Y/N)	No
Standard housing (Y/N)	No
Materials	
- Material of the housings	cast iron, galvanized
- Material of the contacts	Silver
Housing coating	painted
Weight	

Mechanical data

Design of electrical connection	Screw connection
Cable section	
- Min. Cable section	1.5
- Max. Cable section	2.5
AWG-Number	13
Active principle	mechanical
Mechanical life	10.000.000 operations
Switching frequency	3000
notice	All indications about the cable section are including the conductor ferrules.
Contact opening	2 x 6

Ambient conditions

Ambient temperature	
- Min. environmental temperature	-20
- Max. environmental temperature	+60
Protection class	IP65, IP66 and IP67 to IEC/EN 60529

Electrical data

Design of control element	Normally open contact (NO), Opener (NC)
- with double break	
Switching principle	Creep circuit element
Number of shutters	1
Number of openers	1
Rated impulse withstand voltage	6
Rated insulation voltage	400
Thermal test current	16 A
Utilisation category	AC-15: 400 V / 4 A
Max. fuse rating	16 A gG D-fuse


Dimensions

Dimensions of the sensor	
- Width of sensor	106
- Height of sensor	181
- Length of sensor	63


Diagram

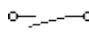


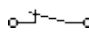
Note Diagram

 positive break NC contact

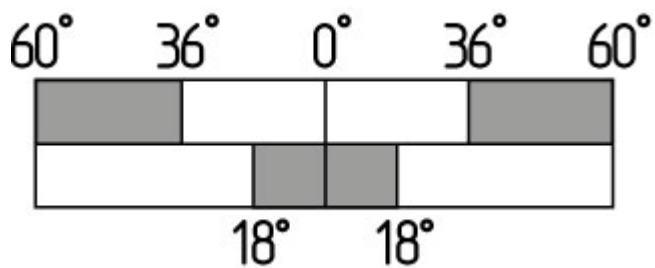
 active

 no active

 Normally-open contact

 Normally-closed contact

Switch travel diagram



Notes Switch travel diagram

■ Contact closed

□ Contact open

▨ Setting range

Ⓛ Break point

Ⓟ Positive opening sequence/- angle

VS adjustable range of NO contact

VÖ adjustable range of NC contact

N after travel

Ordering suffix

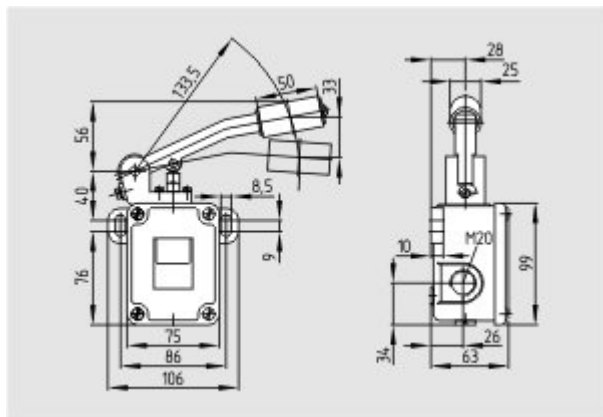
The applicable ordering suffix is added at the end of the part number of the safety switch.

Order example: EX-T. 441-11Y-14-1276-2- **UE**

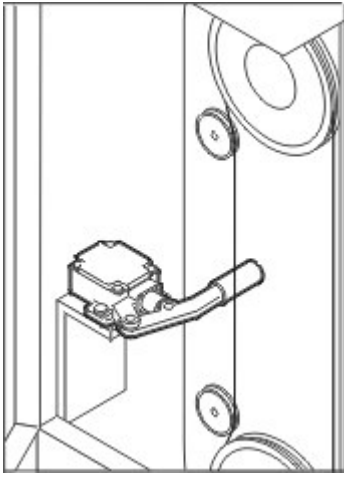
...- **UE**

Slow action with overlapping contacts

Images



Dimensional drawing (basic component)



Application

K.A. Schmersal GmbH & Co. KG, Möddinghofe 30, D-42279 Wuppertal
The data and values have been checked thoroughly. Technical modifications and errors excepted.
Generiert am 13.02.2019 - 14:41:50h Kasbase 3.3.0.F.64I