

Datasheet - EX-TV10S 335-02Z-3D

Safety switch for hinged guards / EX-TV.S 335



- Metal enclosure
- Actuator shaft can be turned 360°
- Actuator heads can be repositioned by 4 x 90°
- 40,5 mm x 107 mm x 65,3 mm
- Good resistance to oil and petroleum spirit
- Ex certified
- 1 Cable entry M 20 x 1.5

(Minor differences between the printed image and the original product may exist!)

Ordering details

Product type description	EX-TV10S 335-02Z-3D
Article number	101193079
EAN Code	4030661354750
eCl@ss	27-27-26-01

Approval


Approval



Classification

Standards	ISO 13849-1
B10d Normally-closed contact (NC)	20.000.000
Mission time	20 Years
notice	$MTTF_d = \frac{B_{10d}}{0,1 \times n_{op}}$ $n_{op} = \frac{d_{op} \times h_{op} \times 3600 \text{ s/h}}{t_{cycle}}$

Global Properties

Permanent light	EX-TV.S 335
Standards	EN 60947-5-1, BG-GS-ET-15, EN 60079-0, EN 60079-31
Compliance with the Directives (Y/N) 	Yes
Materials	
- Material of the housings	light alloy die-casting
- Material of the actuator	stainless steel, 1.4301
- Material of the contacts	Silver
Housing coating	painted
Weight	116

Mechanical data

Design of electrical connection	Screw connection
Cable entry M 20 x 1.5	1
Cable section	
- Min. Cable section	0,75
- Max. Cable section	2.5
Mechanical life	> 1.000.000 operations
Switching frequency	1000
notice	All indications about the cable section are including the conductor ferrules.
Design of actuating element	Other
Shaft bore	Ø 10
Positive break angle	7
Positive break torque	60
Positive break force	5 N for each NC contact fitted
positive break travel	10.7
Impact energy	4
Actuating speed	max. 1 m/s

Ambient conditions

Ambient temperature	
- Min. environmental temperature	-20
- Max. environmental temperature	+60
Protection class	IP67

Electrical data

Design of control element	Opener (NC)
Switching principle	Creep circuit element
Number of auxiliary contacts	0
Number of safety contacts	2
Rated impulse withstand voltage	6
Rated insulation voltage	500
Thermal test current	10 A
Utilisation category	AC-15: 230 V / 4 A, DC-13: 24 V / 4 A
Max. fuse rating	6 A gG D-fuse

ATEX

EX-marking	EX II 3D Ex tc IIIC T90°C Dc X
Explosion protection categories for gases	None

Explosion protection Zones for gases	None
Explosion protected category for dusts	ATEX dust ex-protection, Cat. 3
Explosion protection Zones for dusts	22

Dimensions

Dimensions of the sensor

- Width of sensor	40.5
- Height of sensor	107
- Length of sensor	65.3

notice

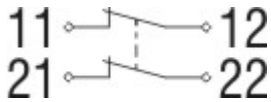
Setting assistance

Grub screw for location, shaft pre-drilled for pin

Universal joint available to compensate for axial displacement (only for shaft bore 10 mm)

By turning the head in 90° steps, 8 actuating planes are possible. A Torx T10 screwdriver is needed for this purpose. Even when the screw is removed, the head is self-retaining. The switch can still not be tampered.

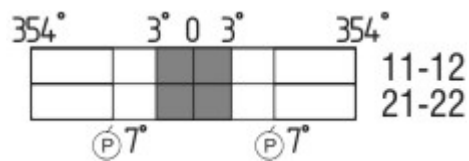
Diagram



Note Diagram

- positive break NC contact
- active
- no active
- Normally-open contact
- Normally-closed contact

Switch travel diagram



Notes Switch travel diagram

- Contact closed
- Contact open
- Setting range
- Break point
- Positive opening sequence/- angle
- VS** adjustable range of NO contact
- VÖ** adjustable range of NC contact
- N** after travel

Ordering code

EX-TV(1)S 335-(2)

(1)

8 Shaft bore Ø 8 mm

10 Shaft bore Ø 10 mm

(2)	
02	2 Opener (NC)
03	3 Opener (NC)
11	1 Normally open contact (NO) / 1 Opener (NC)
12	1 Normally open contact (NO) / 2 Opener (NC)

Documents

Operating instructions and Declaration of conformity (de) 259 kB, 17.11.2017

Code: mrl_ex-tvs335_de

Operating instructions and Declaration of conformity (pl) 321 kB, 17.01.2018

Code: mrl_ex-tvs335_pl

Operating instructions and Declaration of conformity (nl) 300 kB, 17.01.2018

Code: mrl_ex-tvs335_nl

Operating instructions and Declaration of conformity (it) 300 kB, 17.01.2018

Code: mrl_ex-tvs335_it

Operating instructions and Declaration of conformity (es) 302 kB, 17.01.2018

Code: mrl_ex-tvs335_es

Operating instructions and Declaration of conformity (en) 295 kB, 17.11.2017

Code: mrl_ex-tvs335_en

Operating instructions and Declaration of conformity (fr) 306 kB, 17.01.2018

Code: mrl_ex-tvs335_fr

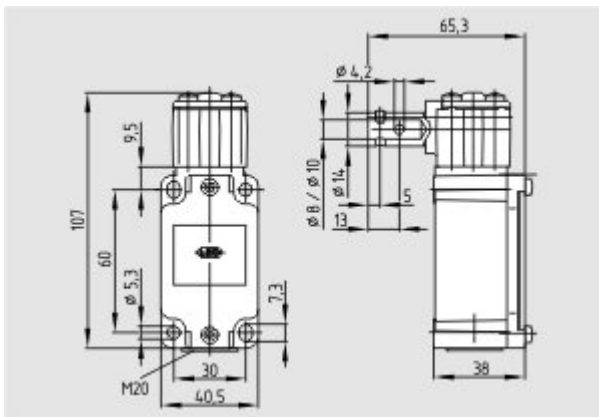
Operating instructions and Declaration of conformity (jp) 505 kB, 05.07.2011

Code: mrl_ex-tvs335_jp

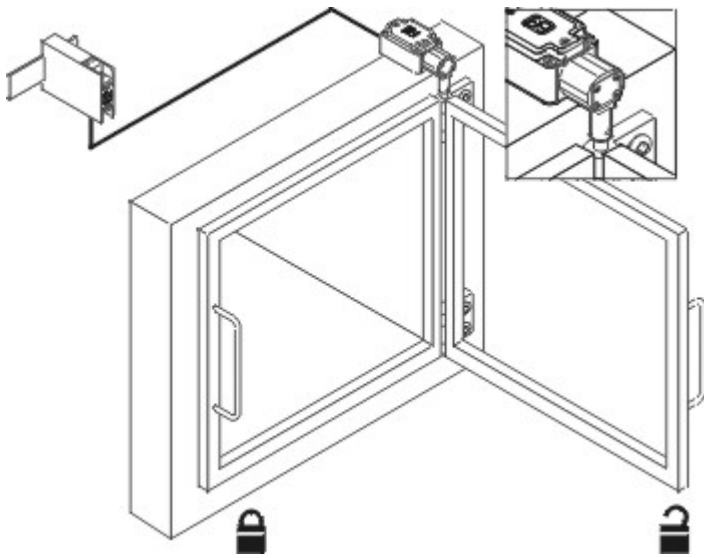
Operating instructions and Declaration of conformity (pt) 305 kB, 17.01.2018

Code: mrl_ex-tvs335_pt

Images



Dimensional drawing (basic component)



Application

K.A. Schmersal GmbH & Co. KG, Möddinghofe 30, D-42279 Wuppertal

The data and values have been checked thoroughly. Technical modifications and errors excepted.

Generiert am 13.02.2019 - 14:30:39h Kasbase 3.3.0.F.64I