

Datasheet - SHGV/B1.1/x1x+x3x

Key transfer system / SHGV - Guard locking device



(Minor differences between the printed image and the original product may exist!)

- Aluminium enclosure
- Protection class IP65
- Bottom-side locking cylinder
- with two actuating heads

Ordering details

Product type description	SHGV/B1.1/x1x+x3x
Article number	SHGV/B1.1/x1x+x3x
EAN Code	
notice	In the order/enquiry, the required key bitting numbers "x1x" and the required actuator "x3x" must be indicated (e.g. SHGV/B1.1/115+BO)! If no lock number is indicated in the order/enquiry, we will supply a lock number at our discretion. The user must ensure that lock numbers are not assigned twice in a single plant (factory site)! If no actuator is specified in the order/enquiry, we supply the default actuator BO. The user must ensure that no double key bit numbers are allocated on one site (company site)!
eCl@ss	27-39-01-90




Approval

Approval	-
----------	---

Classification

B10d Normally-closed contact (NC)	100.000 operations
Mission time	20 Years
Standards	EN ISO 13849-1

Global Properties

Permanent light	Zuhalteeinrichtung
Standards	IEC/EN 60947-5-1
Compliance with the Directives (Y/N)	Yes
Suitable for safety functions (Y/N)	Yes
Number of actuating directions	4
Materials	
- Material of the housings	Aluminium / Steel chromated
- Material of the cylinder lock	Steel
Housing coating	painted
- Enclosure color	 red
Color	
- Colour of the key grip	 Silver
- Colour of the key	 Silver
Weight	550
Key number	
- primary key	x1x
- secondary key	x2x
Actuator	x3x
Locking system	Included in standard version
Key	1

Mechanical data

Active principle	mechanical
Mechanical life	100.000 operations
resistance to shock	30 / 18
resistant to vibration	> 15 / 10...200
Latching force	5
Clamping force	1750

Ambient conditions

Ambient temperature	
- Min. environmental temperature	-25
- Max. environmental temperature	+70
Storage and transport temperature	
- Min. Storage and transport temperature	-40
- Max. Storage and transport temperature	+80
Protection class	IP65 to IEC/EN 60529

LED switching conditions display

With integrated LED (Y/N)	No
---------------------------	----

ATEX

Explosion protection categories for gases	None
Explosion protected category for dusts	None

Miscellaneous data

Applications



sliding safety guard



removable guard



hinged safety guard

Dimensions

Dimensions

- Width	40
- Height	135
- Length	90

notice

notice	mit zwei Anfahrköpfen für Doppeltüren, nicht bei Ausführung "LD" und "RD"
--------	---

Ordering code

SHGV(1)(2)/(3)(4)(5)/(6)/(7)(8)+(9)

notice

**Not all variations can be supplied.
The available order code used to convert the product part name.**

(1)

without

-Z/

Included in standard version Locking system

Central locking system-Locking system

(2)

without

/SR

Included in standard version Silver
coloured key heads

(3)

B

Bottom-side locking cylinder

L

Left-hand side locking cylinder

R

Right-hand side locking cylinder

(4)

D

additional frontal locking cylinder

(5)

1.0

with one actuating head

1.1

with two actuating heads

(6)

x1x

Key number (n) 100 ... 999

(7)

x2x

Key number (n) additional frontal locking cylinder 32 ... 99

(8)

oo/oo

Colour of the key grip

■ (BR)

■ (GB)

■ (RT)

■ (BL)

■ (WS)

■ (GR)

■ (GN)

■ (SW)

and all combinations resulting thereof

(9)

BO	Straight actuator (Included in standard version)
BOW	Angled actuator
BOR	Radius actuator
BOWR	Radius actuator angled
BOF/HIS.1	Telescopic actuator, Mounting rear
BOF/HIS.2	Telescopic actuator, Mounting above

Documents

Datasheet (en) 71 kB, 03.08.2010

Code: gshgvp02

Datasheet (de) 73 kB, 03.08.2010

Code: kshgvp02

Operating instructions and Declaration of conformity (es) 2 MB, 22.08.2016

Code: mrl_shgv-sve-svm_es

Operating instructions and Declaration of conformity (jp) 2 MB, 23.03.2017

Code: mrl_shgv-sve-svm_jp

Operating instructions and Declaration of conformity (de) 2 MB, 25.07.2016

Code: mrl_shgv-sve-svm_de

Operating instructions and Declaration of conformity (fr) 2 MB, 16.09.2016

Code: mrl_shgv-sve-svm_fr

Operating instructions and Declaration of conformity (nl) 2 MB, 08.08.2018

Code: mrl_shgv-sve-svm_nl

Operating instructions and Declaration of conformity (en) 2 MB, 25.07.2016

Code: mrl_shgv-sve-svm_en

Operating instructions and Declaration of conformity (pt) 2 MB, 23.08.2016

Code: mrl_shgv-sve-svm_pt

Operating instructions and Declaration of conformity (cn) 2 MB, 27.07.2017

Code: mrl_shgv-sve-svm_cn

Operating instructions and Declaration of conformity (pl) 2 MB, 22.11.2016

Code: mrl_shgv-sve-svm_pl

Operating instructions and Declaration of conformity (it) 2 MB, 02.09.2016

Code: mrl_shgv-sve-svm_it

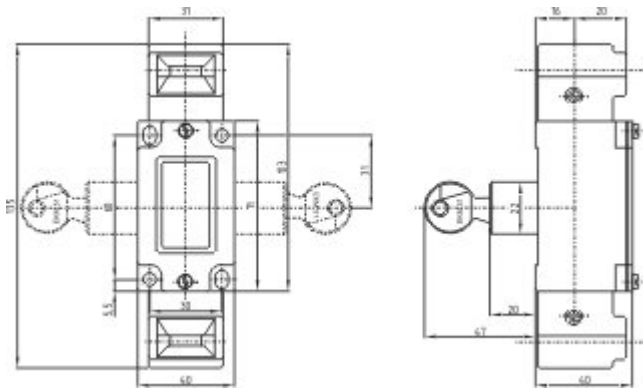
Info (en) 567 kB, 11.09.2012

Code: gshgvp01

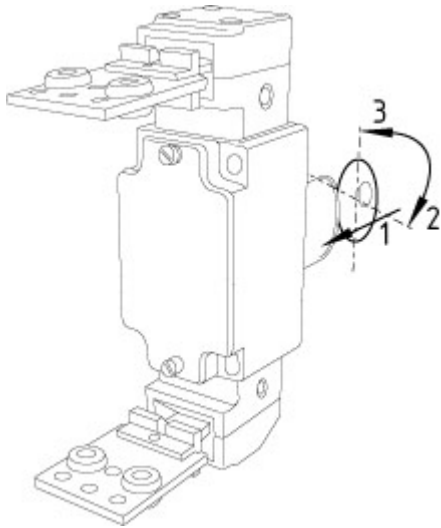
Info (de) 372 kB, 11.09.2012

Code: kshgvp01

Images



Dimensional drawing (basic component)



Application

System components

Actuator



101025451 - BOF/HIS.2

- Minimum actuating radius 400 mm
- Flexible actuator



101025450 - BOF/HIS.1

- Minimum actuating radius 400 mm
- Flexible actuator



101014463 - BOWR

- Minimum actuating radius 350 mm
- Angled actuator

101014461 - BOR



- Minimum actuating radius 350 mm
 - Straight actuator
-



101014462 - BOW

- Minimum actuating radius 400 mm
 - Angled actuator
-



101014460 - BO

- Minimum actuating radius 400 mm
 - Straight actuator
-

K.A. Schmersal GmbH & Co. KG, Möddinghofe 30, D-42279 Wuppertal

The data and values have been checked thoroughly. Technical modifications and errors excepted.

Generiert am 13.02.2019 - 13:09:13h Kasbase 3.3.0.F.64I