

Datasheet - AZM300Z-ST-SD2P

Solenoid interlock / AZM300



(Minor differences between the printed image and the original product may exist!)

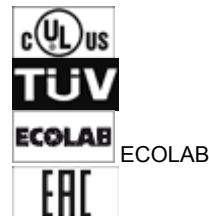
- Suitable for mounting to profile systems
- Thermoplastic enclosure
- RFID-technology for needs-based protection against tampering
- 3 different directions of actuation
- Compact design
- 3 LEDs to show operating conditions
- Suitable for hinged and sliding guards
- Series-wiring
- Manual release
- Universal coding with RFID technology
- Connector M12, 8-pole
- Power to unlock
- Guard locking monitored
- serial diagnostic output

Ordering details

Product type description	AZM300Z-ST-SD2P
Article number	103001436
EAN Code	
eCl@ss	27-27-26-03

Approval


Approval



Classification

Standards	EN ISO 13849-1, IEC 61508
PL	e
Control category	4
SIL	3
Mission time	20 Years
PFH value	5.2 x 10 ⁻¹⁰ /h

Global Properties

Permanent light	AZM300
Standards	EN 60947-5-1, IEC 60947-5-3, IEC 61508, EN ISO 13849-1
Compliance with the Directives (Y/N) 	Yes
Suitable for safety functions (Y/N)	Yes
Series-wiring	Yes
Length of the sensor chain	200
Active principle	RFID
Coding levels according to ISO 14119	low
Coding	Universal coding
Duty cycle	100
Materials	
- Material of the housings	Plastic, glass-fibre reinforced thermoplastic
Housing coating	None
Weight	
Guard locking monitored (Y/N)	Yes
Actuator monitored (Y/N)	No
Idle assignable pushbutton and LED (Y/N)	No
Reaction time	< 120
Duration of risk	< 200
Time to readiness	5 s
Recommended actuator	AZ/AZM300-B1

Mechanical data

Design of electrical connection	Connector M12, 8-pole, A-coded
Mechanical life	≥ 1.000.000 operations
notice - Mechanical life (when used as door stop)	≥ 50.000 operations for guards ≤ 5 kg; actuating speed ≤ 0,5 m/s
Switch distance	2
Ensured switch distance ON	1
Ensured switch distance OFF	20
restistance to shock	30 / 11
Resistance to vibration	10 ... 150 HZ, Amplitude 0,35 mm
Emergency unlocking device (Y/N)	No
Manual release (Y/N)	Yes
Emergency release (Y/N)	No
Latching (Y/N)	Yes
Latching force	25 / 50
Clamping force F	1150 N
Actuator and interlock misalignment	≤ 2
fixing screws	2 x M6

Ambient conditions

Ambient temperature	
- Min. environmental temperature	0
- Max. environmental temperature	+60
Storage and transport temperature	
- Min. Storage and transport temperature	-10
- Max. Storage and transport temperature	+90
Protection class	IP66, IP67, IP69 to IEC 60529
Protection rating	II

Air clearances and creepage distances To IEC/EN 60664-1

- Rated impulse withstand voltage	0,8
- Overvoltage category	III
- Degree of pollution	3

Electrical data

Number of auxiliary contacts	0
Number of safety contacts	2
Cross circuit/short circuit recognition possible (Y/N)	Yes
Power to unlock	Yes
Power to lock	No
Supply voltage (stabilised PELV)	24 -15 / +10
Switch frequency	0,5
Operating current	100 (without load)
Rated insulation voltage	32 VDC
Operating current I_e	1 A
Utilisation category	DC-13
Required rated short-circuit current	100 A
Device insulation	2 A
notice	Cable length and cable section alter the voltage drop depending on the output current

Electrical data - Safety inputs

Safety inputs	X1 and X2
Switching thresholds	-3 ... 5 (Low) 15 ... 30 (High)
Operating current	5 mA / 24 V

Electrical data - Safety outputs

Safety outputs	Y1 and Y2
Design of control output	short-circuit proof, p-type
Rated operating voltage	0 ... 4 under Supply voltage
Residual current	$\leq 0,5$
Operating current	0,25 A
Utilisation category	DC-12, DC-13
Test impulse width	$< 0,5$
Test frequency	1

Electrical data - Diagnostic output

Serial diagnostics (Y/N)	Yes
Fuse rating	p-type, short-circuit proof
Rated operating voltage U_e	0 V ... 4 V under Supply voltage U_B
Operating current	0,05 A
Utilisation category	DC-12, DC-13
Wiring capacitance for serial diagnostics	50
diagnostic signals	to SD-interface
Operating principle of the diagnostic output	The short-circuit proof diagnostic output OUT can be used for central visualisation or control tasks, e.g. in a PLC.
notice	The diagnostic output is not a safety-relevant output!

Electrical data - Solenoid control IN

Control command

Interlocking the solenoid interlock

LED switching conditions display

LED switching conditions display (Y/N)

Yes

LED switching conditions display

- Supply voltage

green LED

- switching condition

yellow LED

- Error functional defect

red LED

ATEX

Explosion protection categories for gases

None

Explosion protected category for dusts

None

Dimensions

Dimensions of the sensor

- Width of sensor

85

- Height of sensor

100

- Length of sensor

35

Pin assignment

1	A1 Supply voltage
2	X1 Safety input 1
3	A2 GND
4	Y1 Safety output 1
5	OUT Diagnostic output
6	X2 Safety input 2
7	Y2 Safety output 2
8	IN Solenoid control

notice

As long as the actuating unit remains inserted in the solenoid interlock, the unlocked safety guard can be relocked. The safety outputs then will be enabled again; opening the safety guard therefore is not required.

For doors that are flush with the door frame, the optional mounting plate MP-AZ/AZM300-1 can be used.

For glass and Makrolon doors, the optional mounting kit MS-AZ/AZM300-B1-1 can be used.

Included in delivery

Actuators must be ordered separately.

Ordering code

AZM300(1)(2)-ST(3)-(4)-(5)

(1)

Z Guard locking monitored

B Actuator monitored

(2)

<i>without</i>	Included in standard versioncoding
I1	Individual coding
I2	Individual coding, multiple teaching
(3)	
1P2P	1 Diagnostic output, p-type and 2 Safety outputs, p-type
SD2P	serial diagnostic output and 2 Safety outputs, p-type
(4)	
<i>without</i>	Power to unlock
A	Power to lock
(5)	
<i>without</i>	Manual release
T	Emergency exit
N	Emergency release

Documents

Operating instructions and Declaration of conformity (jp) 1 MB, 18.09.2017

Code: mrl_azm300_jp

Operating instructions and Declaration of conformity (it) 1 MB, 11.07.2018

Code: mrl_azm300_it

Operating instructions and Declaration of conformity (sv) 1 MB, 18.09.2017

Code: mrl_azm300_sv

Operating instructions and Declaration of conformity (en) 1 MB, 18.06.2018

Code: mrl_azm300_en

Operating instructions and Declaration of conformity (da) 1 MB, 18.09.2017

Code: mrl_azm300_da

Operating instructions and Declaration of conformity (cn) 1 MB, 22.11.2018

Code: mrl_azm300_cn

Operating instructions and Declaration of conformity (es) 1 MB, 01.08.2018

Code: mrl_azm300_es

Operating instructions and Declaration of conformity (de) 1 MB, 18.06.2018

Code: mrl_azm300_de

Operating instructions and Declaration of conformity (fr) 1 MB, 01.08.2018

Code: mrl_azm300_fr

Operating instructions and Declaration of conformity (nl) 1 MB, 01.08.2018

Code: mrl_azm300_nl

Operating instructions and Declaration of conformity (pt) 1 MB, 01.08.2018

Code: mrl_azm300_pt

Operating instructions and Declaration of conformity (pl) 1 MB, 21.11.2018

Code: mrl_azm300_pl

Brochure (it) 877 kB, 29.04.2016

Code: b_azm300p01_it

Brochure (en) 857 kB, 23.07.2015

Code: b_azm300p01_en

Brochure (de) 863 kB, 23.07.2015

Code: b_azm300p01_de

Brochure (es) 2 MB, 03.05.2013

Code: b_azm300p01_es

Brochure (jp) 1 MB, 13.03.2013

Code: b_azm300p01_jp

Brochure (pt) 1 MB, 03.05.2013

Code: b_azm300p01_pt

Brochure (fr) 2 MB, 03.05.2013

Code: b_azm300p01_fr

Brochure (br) 2 MB, 08.03.2013

Code: b_azm300p01_br

Brochure (br) 2 MB, 03.05.2013

Code: b_azm300p01_br

Brochure (nl) 1 MB, 03.05.2013

Code: b_azm300p01_nl

Brochure (cs) 2 MB, 03.05.2013

Code: b_azm300p01_cs

Brochure (pl) 2 MB, 03.05.2013

Code: b_azm300p01_pl

Brochure (de) 6 MB, 15.02.2018

Code: b_css_brosch09_de

Brochure (en) 6 MB, 15.02.2018

Code: b_css_brosch09_en

TÜV certification (de, en) 761 kB, 17.09.2018

Code: z_azmp05

EAC certification (ru) 809 kB, 05.10.2015

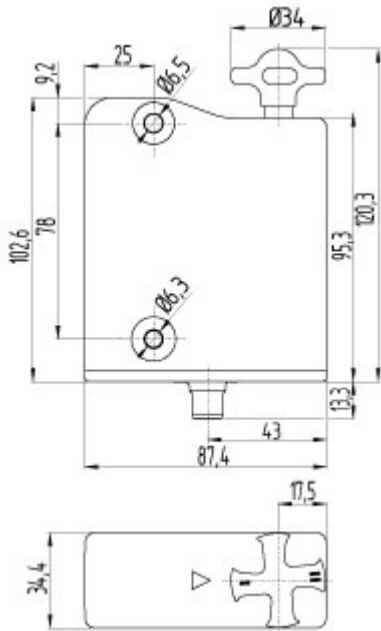
Code: q_6040p17_ru

ECOLAB certification (en) 94 kB, 08.04.2013

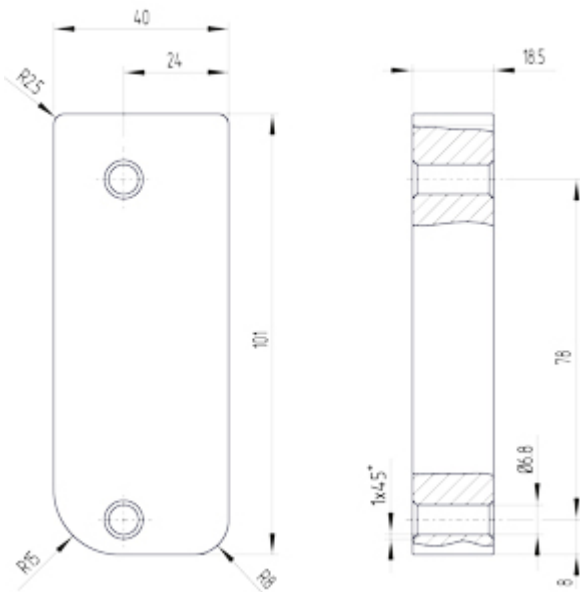
Code: q_azmp03

ECOLAB certification (de) 93 kB, 08.04.2013

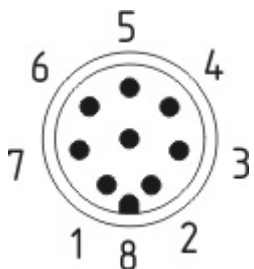
Code: q_azmp02



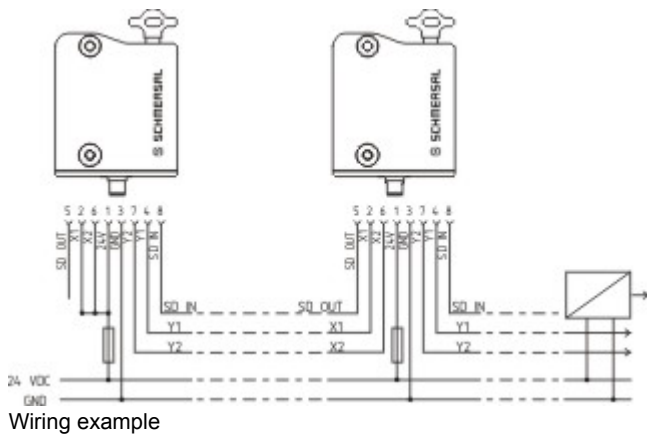
Dimensional drawing (basic component)



Dimensional drawing (miscellaneous)



Contact arrangement



System components

Actuator



101218025 - AZ/AZM300-B1

- 3 different directions of actuation

Accessories



103002891 - MS-AZ/AZM300-B1-1



103003172 - MP-AZ/AZM300-1

K.A. Schmersal GmbH & Co. KG, Mödinghofe 30, D-42279 Wuppertal

The data and values have been checked thoroughly. Technical modifications and errors excepted.

Generiert am 13.02.2019 - 14:51:22h Kasbase 3.3.0.F.64I