


Datasheet - AZ 16-12ZI-B6R

Safety switch with separate actuator / AZ 16ZI / AZ 16ZI-B6



- Thermoplastic enclosure
- Individual coding
- Coding level "High" according to ISO 14119
- 52 mm x 90 mm x 30 mm
- Long life
- Double-insulated 
- Large wiring compartment
- High level of contact reliability with low voltages and currents
- Insensitive to soiling
- Slotted holes for adjustment, circular holes for location
- 3 cable entries M 16 x 1.5

(Minor differences between the printed image and the original product may exist!)

Ordering details

Product type description	AZ 16-12ZI-B6R
Article number	103005855
EAN Code	
eCl@ss	27-27-26-02

Approval

Approval



BG



USA/CAN

Classification

Standards	EN 60947-5-1, BG-GS-ET-15
B10d Normally-closed contact (NC)	2.000.000
B10d Normally open contact (NO)	1.000.000
- notice	at 10% I _e and ohmic load
Mission time	20 Years
notice	

$$MTTF_d = \frac{B_{10d}}{0,1 \times n_{op}}$$

$$n_{op} = \frac{d_{op} \times h_{op} \times 3600 \text{ s/h}}{t_{cycle}}$$

Global Properties

Permanent light	AZ 16ZI
Standards	EN 60947-5-1, BG-GS-ET-15
Materials	
- Material of the actuator	Stainless steel
- Material of the housings	Plastic, glass-fibre reinforced thermoplastic, self-extinguishing
- Material of the contacts	Silver
Housing coating	None
Housing coating	None
Weight	

Mechanical data

Design of electrical connection	Screw connection
Cable section	
- Min. Cable section	0,75
- Max. Cable section	2.5
Design of actuators	angled, flexible
Mechanical life	> 1.000.000 operations
notice	All indications about the cable section are including the conductor ferrules.
With ejection force (Y/N)	Yes
Positive break force	20
positive break travel	8 mm
Actuating speed	max. 2 m/s
Minimum actuating radius	35

Ambient conditions

Ambient temperature	
- Min. environmental temperature	-30
- Max. environmental temperature	+80
Protection class	IP67 to IEC/EN 60529
Ambient temperature	

Electrical data

Design of control element	Normally open contact (NO), Opener (NC)
Design of control element	Normally open contact (NO), Opener (NC)
Switching principle	Creep circuit element
Switching principle	Creep circuit element
Number of auxiliary contacts	1
Number of safety contacts	2
Rated impulse withstand voltage	6
Rated insulation voltage	500
Thermal test current	10 A
Utilisation category	AC-15: 230 V / 4 A, DC-13: 24 V / 4 A
Max. fuse rating	6 A gG D-fuse

ATEX

Explosion protection categories for gases	None
Explosion protected category for dusts	None

Dimensions

Dimensions of the sensor

- Width of sensor	52
- Height of sensor	90
- Length of sensor	30

notice

Minimum actuating radius on hinged guards 35 mm

The axis of the hinge should be 5 mm above the top edge of the safety switch and in the same plane

The actuator is not available separately.

Included in delivery

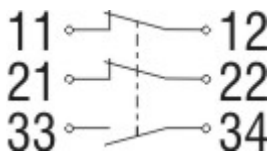
Individually coded actuator B6 right-hand model

Individually coded actuator


tamperproof screws

Slot sealing plugs


Diagram

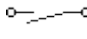


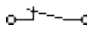
Note Diagram

 positive break NC contact

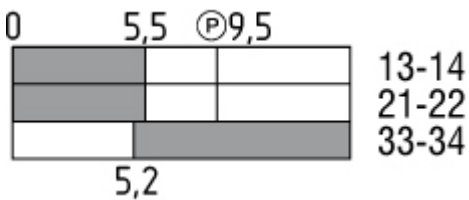
 active

 no active

 Normally-open contact

 Normally-closed contact

Switch travel diagram





Notes Switch travel diagram

 Contact closed

 Contact open

 Setting range

 Break point

 Positive opening sequence/- angle

VS adjustable range of NO contact

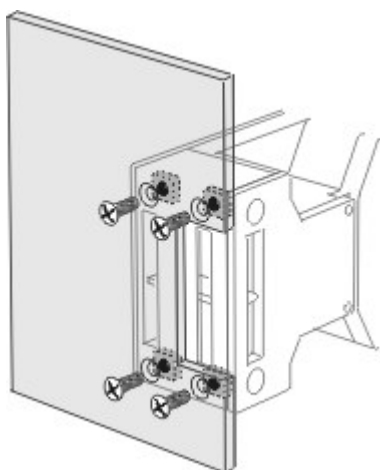
VÖ adjustable range of NC contact

N after travel

Ordering suffix

The applicable ordering suffix is added at the end of the part number of the safety switch.

Order example: AZ 16-12ZI-B6R-1762



...-1762

Versions with M5 nuts

For front mounting of safety switch, e.g. on sheet-steel covers
Cannot be retrofitted

...-1637

0,3 µm gold-plated contacts

...-M20

cable entries M20

Ordering code

AZ 16-(1)ZI-(2)-(3)

(1)

3.0

12

(2)

B1

B1-1747

B1-2024

B1-2053

B1-2177

(3)

M16

M20

3 Opener (NC)

1 Normally open contact (NO) / 2 Opener (NC)

Actuator:

straight Design

straight Design with magnetic latch

straight Design with slot sealing plug

straight Design with ball latch

straight Design with centering guide

Cable entry M16

Cable entry M20

Documents

Operating instructions and Declaration of conformity (jp) 732 kB, 20.01.2017

Code: mrl_az16zi_jp

Operating instructions and Declaration of conformity (nl) 492 kB, 02.08.2018

Code: mrl_az16zi_nl

Operating instructions and Declaration of conformity (it) 465 kB, 21.11.2016

Code: mrl_az16zi_it

Operating instructions and Declaration of conformity (pt) 452 kB, 04.12.2015

Code: mrl_az16zi_pt

Operating instructions and Declaration of conformity (da) 361 kB, 25.01.2012

Code: mrl_az16zi_da

Operating instructions and Declaration of conformity (en) 517 kB, 28.09.2016

Code: mrl_az16zi_en

Operating instructions and Declaration of conformity (de) 515 kB, 28.09.2016

Code: mrl_az16zi_de

Operating instructions and Declaration of conformity (ro) 362 kB, 25.01.2012

Code: mrl_az16zi_ro

Operating instructions and Declaration of conformity (fr) 468 kB, 18.11.2016

Code: mrl_az16zi_fr

Operating instructions and Declaration of conformity (es) 471 kB, 21.11.2016

Code: mrl_az16zi_es

Operating instructions and Declaration of conformity (cn) 609 kB, 11.05.2017

Code: mrl_az16zi_cn

Operating instructions and Declaration of conformity (sv) 343 kB, 17.06.2015

Code: mrl_az16zi_sv

Operating instructions and Declaration of conformity (pl) 503 kB, 01.12.2016

Code: mrl_az16zi_pl

BG-test certificate (en) 536 kB, 05.01.2011

Code: z__16p02

BG-test certificate (de) 203 kB, 02.03.2016

Code: z__16p01

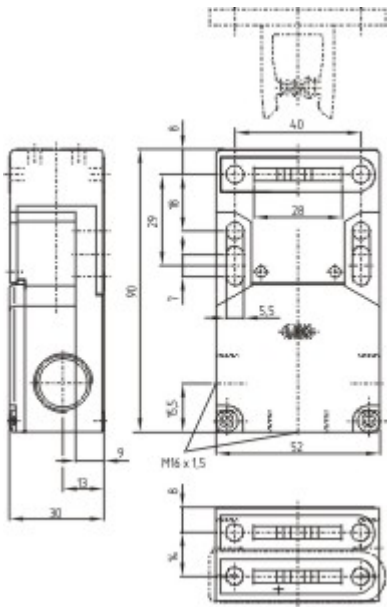
CCC certification (cn) 3 MB, 18.10.2017

Code: q_175p03

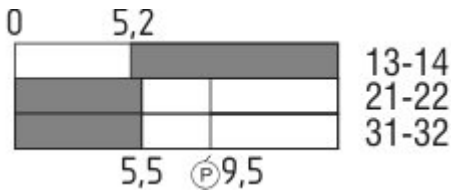
CCC certification (en) 3 MB, 29.08.2017

Code: q_175p02

Images



Dimensional drawing (basic component)



Switch travel diagram

System components

Mounting accessories



1135338 - TAMPERPROOF SCREWS M 5 x 12

- To mount the actuator
- Higher protection against tampering with interlock
- Protects against unauthorised removal of actuator
- Various lengths available



101135339 - TAMPERPROOF SCREWS M 5 x 16

- To mount the actuator
- Higher protection against tampering with interlock
- Protects against unauthorised removal of actuator
- Various lengths available



101135340 - TAMPERPROOF SCREWS M 5 x 20

- To mount the actuator
- Higher protection against tampering with interlock
- Protects against unauthorised removal of actuator
- Various lengths available