

Datasheet - TFH 232-20HD

Foot switch / F 232

Preferred typ



- Metal enclosure
- single-pedal types
- High level of stability
- Cable entry M 20 x 1.5
- Low operating height of pedal
- Also available as safety foot switch
- 2 Contacts
- 3-phase actuation with pressure point
- Protective shield with wide opening

(Minor differences between the printed image and the original product may exist!)

Ordering details


| | |
|--------------------------|---------------|
| Product type description | TFH 232-20HD |
| Article number | 101182013 |
| EAN Code | 4030661326672 |
| eCl@ss | 27-37-12-18 |

Approval

Approval



Global Properties

| | |
|--|---|
| Permanent light | F 232 |
| Standards | EN 60947-5-1, DIN VDE 0660-200, BG-GS-ET-15 |
| Compliance with the Directives (Y/N)  | Yes |
| Suitable for safety functions (Y/N) | No |
| Materials | |
| - Material of the housings | Aluminium |
| - Material of the cover | Aluminium |
| - Material of the protective shield | Aluminium |
| - Material of the pedal | Plastic, glass-fibre reinforced thermoplastic |
| Housing coating | powder-coated |
| Colouring | |
| - Enclosure color | RAL 9006 (White aluminum) |
| Weight | 1700 |

| | |
|---|-----|
| with start/stop function (Y/N) | No |
| Suitable for EMERGENCY-OFF (Y/N) | No |
| Protection hood (Y/N) | Yes |
| 3-phase actuation with pressure point (Y/N) | Yes |

Mechanical data

| | |
|---------------------------------|---|
| Design of electrical connection | Screw connection |
| Cable section | |
| - Min. Cable section | |
| - Max. Cable section | 1 x 2.5 |
| Mechanical life | > 1.000.000 operations |
| notice | All indications about the cable section are including the conductor ferrules. |
| Latching (Y/N) | No |
| Probing possible (Y/N) | Yes |

Ambient conditions

| | |
|----------------------------------|----------------------|
| Ambient temperature | |
| - Min. environmental temperature | -25 |
| - Max. environmental temperature | +70 |
| Protection type IP | IP65 to IEC/EN 60529 |

Electrical data

| | |
|---|--|
| Design of control element | Normally open contact (NO) |
| Switching principle | Slow action |
| Number of shutters | 2 |
| Number of openers | 0 |
| Rated impulse withstand voltage U_{imp} | 6 kV |
| Rated insulation voltage U_i | 500 V |
| Thermal test current I_{the} | 10 A |
| Utilisation category | AC-15: 230 V / 4 A, DC-13: 24 V / 1 A |
| Max. fuse rating | 6 A gG D-fuse |

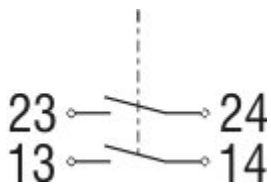
Dimensions

| | |
|------------|--------|
| Dimensions | |
| - Width | 170 mm |
| - Height | 189 mm |
| - Depth | 274 mm |




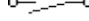
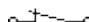
notice

The pressure point can only be ordered for 2 NO or 4 NO contacts (20 or 40) per pedal and is exclusively available with slow action (T). The pressure point must be indicated separately for each contact type, e.g. TFH 232-11hd or T2FH 232-11hd/11hd

Diagram



Note Diagram

-  positive break NC contact
-  active
-  no active
-  Normally-open contact
-  Normally-closed contact

Ordering code

(1)F(2) 232-(3)-(4)

| | |
|----------------|--|
| (1) | |
| T | Slow action |
| Z | Snap action |
| (2) | |
| <i>without</i> | without Protective shield |
| H | with Protective shield |
| (3) | |
| 11 | 1 Normally open contact (NO) / 1 Opener (NC) |
| 02 | 2 Opener (NC) |
| 20 | 2 Normally open contact (NO) |
| 22 | 2 Normally open contact (NO) / 2 Opener (NC) |
| 04 | 4 Opener (NC) |
| 40 | 4 Normally open contact (NO) |
| (4) | |
| HD | 3-phase actuation with pressure point |
| F | with start/stop function |

Documents

Operating instructions and Declaration of conformity (da) 259 kB, 07.08.2012

Code: mrl_f232_da

Operating instructions and Declaration of conformity (it) 736 kB, 04.08.2010

Code: mrl_f232_it

Operating instructions and Declaration of conformity (jp) 925 kB, 16.12.2010

Code: mrl_f232_jp

Operating instructions and Declaration of conformity (pl) 278 kB, 01.08.2014

Code: mrl_f232_pl

Operating instructions and Declaration of conformity (fr) 734 kB, 04.08.2010

Code: mrl_f232_fr

Operating instructions and Declaration of conformity (cs) 260 kB, 12.03.2012

Code: mrl_f232_cs

Operating instructions and Declaration of conformity (nl) 740 kB, 04.08.2010

Code: mrl_f232_nl

Operating instructions and Declaration of conformity (pt) 273 kB, 05.01.2015

Code: mrl_f232_pt

Operating instructions and Declaration of conformity (en) 319 kB, 15.12.2016

Code: mrl_f232_en

Operating instructions and Declaration of conformity (en) 488 kB, 11.05.2010

Code: mrl_f232_en

Operating instructions and Declaration of conformity (de) 324 kB, 15.12.2016

Code: mrl_f232_de

Operating instructions and Declaration of conformity (es) 728 kB, 04.08.2010

Code: mrl_f232_es

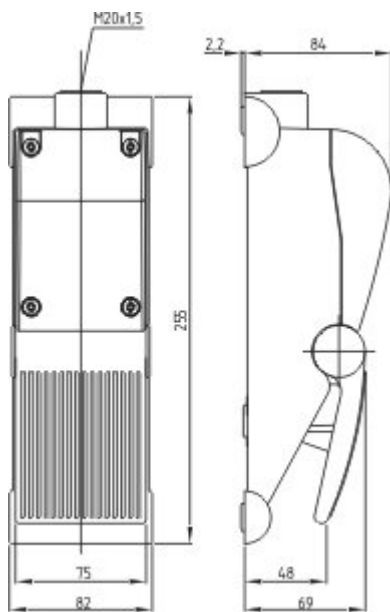
CCC certification (en) 975 kB, 24.05.2016

Code: q_455p02

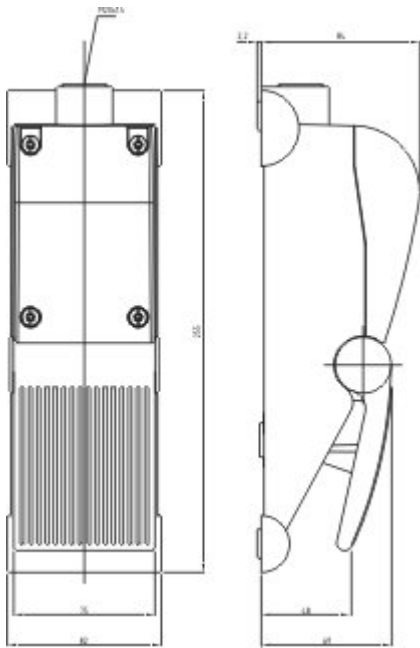
CCC certification (cn) 948 kB, 24.05.2016

Code: q_455p03

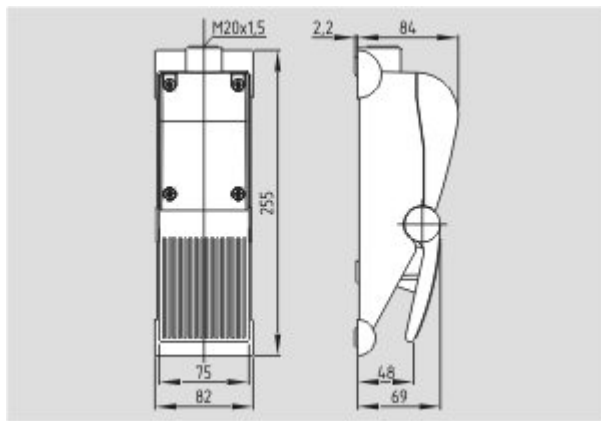
Images



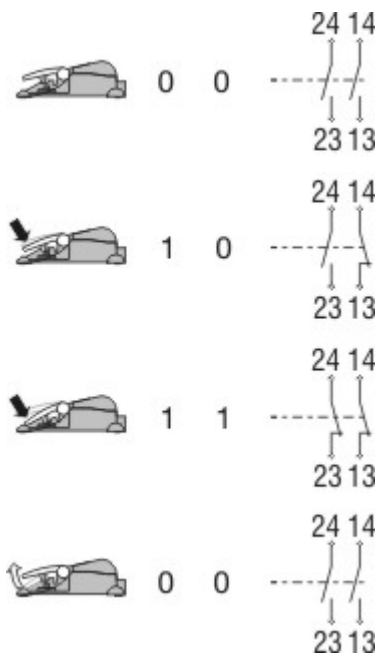
Dimensional drawing (basic component)



Dimensional drawing (basic component)



Dimensional drawing (basic component)



Operating principle