

Datasheet - LF 50-11P

Safety light curtains, Safety light grids / Accessories / Reflection light barrier



Preferred typ



(Minor differences between the printed image and the original product may exist!)

Ordering details

Product type description	LF 50-11P
Article number	101151758
EAN Code	4030661163574
eCl@ss	27-27-09-02

Approval

Approval	None
----------	------

Global Properties

Permanent light	Reflexions-Lichtschranke
Operating resource protection class	
Laser protection class	Class 1
Materials	
- Material of the housings	impact-proof ABS
- Material of the optical surface	
Weight	38
Push button function	
Range	5.5
Time function (Y/N)	
Preliminary failure signal possible (Y/N)	

Mechanical data

Design of electrical connection	connector plug M12, 4-pole
Cable length	100

Ambient conditions

Ambient temperature	
- Min. environmental temperature	- 20
- Max. environmental temperature	+45
Storage and transport temperature	
- Min. Storage and transport temperature	-20
- Max. Storage and transport temperature	+80
Protection class	IP67 to IEC/EN 60529

Electrical data

Design of control element	
Supply voltage	residual ripple 10
- Min. supply voltage	1
- Max. supply voltage	30
Switch frequency	2500
Operating current	< 30 (idle)
Voltage range	10 - 30

Outputs

Design of control output	PNP
Max. output current	200
Signalling output	200

LED switching conditions display

LED switching conditions display	switching condition, Operating voltage, soiling
----------------------------------	---

ATEX

Explosion protection categories for gases	None
Explosion protected category for dusts	None

Dimensions

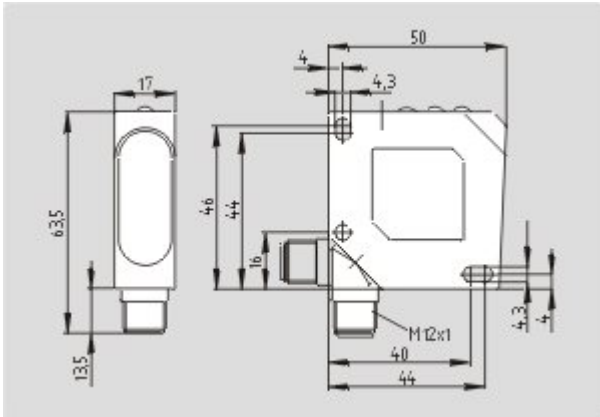
Dimensions of the sensor	
- Width of sensor	50
- Height of sensor	63.5
- Length of sensor	17

Included in delivery

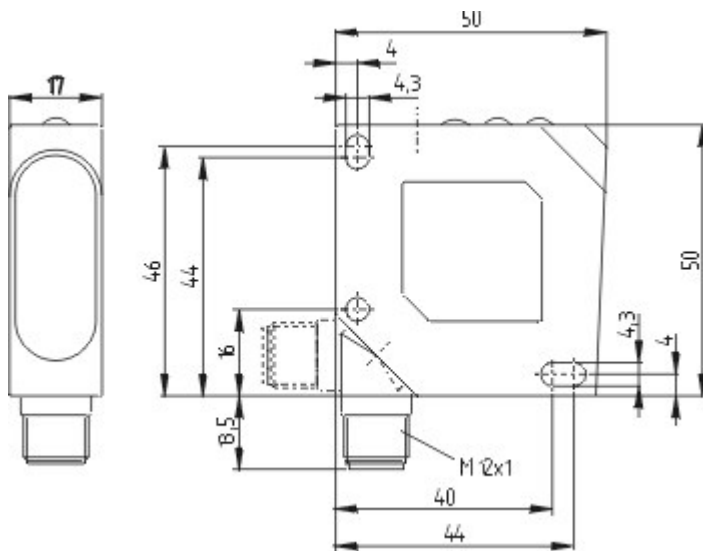
1 Reflection light barrier

Documents

Images



Dimensional drawing (basic component)



Dimensional drawing (basic component)