

## Datasheet - IFL 2-250-01P

Inductive proximity switch / Housing construction form: Block / IFL 250



Preferred typ



- Design 250
- Thermoplastic enclosure
- DC 3-wire
- Double-insulated

(Minor differences between the printed image and the original product may exist!)

### Ordering details

|                          |               |
|--------------------------|---------------|
| Product type description | IFL 2-250-01P |
| Article number           | 101097201     |
| EAN Code                 | 4030661086682 |
| eCl@ss                   | 27-27-01-01   |

### Approval

Approval



CCC

### Global Properties

|                                      |                                    |
|--------------------------------------|------------------------------------|
| Permanent light                      | IFL - 250                          |
| Standards                            | IEC/EN 60947-5-2; DIN VDE 0660-208 |
| Compliance with the Directives (Y/N) | Yes                                |
| Operating resource protection class  | Protection class 2                 |
| Materials                            |                                    |
| - Material of the housings           | Plastic                            |
| - Material of the cable mantle       | PVC                                |
| Housing coating                      | None                               |
| Housing construction form            | Block                              |
| Weight                               | 85                                 |

## Mechanical data

---

|                                    |   |
|------------------------------------|---|
| Design of electrical connection    | Cable   |
| Cable length                       | 2   |
| Conductor with strain relief       | No  |
| Conductors                         | 3 x 0,34  |
| mechanical installation conditions | flush   |
| Switch distance $S_n$              | 2 mm  |
| Reduction factor 1 met (Y/N)       | No  |
| Protection circuit                 | inductive interference protection, Protection against polarity reversal, short-circuit and overload proof |
| Pressure resistant (Y/N)           | No  |

## Ambient conditions

---

|                                  |                      |
|----------------------------------|----------------------|
| Ambient temperature              |                      |
| - Min. environmental temperature | -25                  |
| - Max. environmental temperature | +70                  |
| Protection class                 | IP67 to IEC/EN 60529 |

## Electrical data

---

|                           |                        |
|---------------------------|------------------------|
| Design of control element | Opener (NC)            |
| Number of wire            | 3                      |
| Voltage type              | DC, direct current     |
| Supply voltage $U_B$      |                        |
| - Min. supply voltage     | 10                     |
| - Max. supply voltage     | 40                     |
| Switch frequency          | approx. 1000 HZ        |
| Voltage drop $U_d$        | approx. 1.2 V (200 mA) |
| Operating current $I_e$   | 200 mA                 |
| No-load current $I_0$     | approx. 3 mA (24 V)    |

## Outputs

---

|                          |     |
|--------------------------|-----|
| Design of control output | PNP |
|--------------------------|-----|

## LED switching conditions display

---

|  |     |
|--|-----|
| LED switching conditions display (Y/N) | Yes |
| - yellow LED                           |     |

## ATEX

---

|   |      |
|---|------|
| Explosion protection categories for gases | None |
| Explosion protected category for dusts    | None |

## Dimensions

---

|                          |    |
|--------------------------|----|
| Dimensions of the sensor |    |
| - Width of sensor        | 40 |
| - Height of sensor       | 25 |
| - Length of sensor       | 12 |

## notice

---

Switches can be mounted adjacent to each other without interference.  
with 2 screws M3 x 6 for rear mounting  
maximum screwing depth: 6 mm

## Ordering code

---

IFL (1)-(2)-(3)(4)(5)-(6)

|                |  |
|----------------|--|
| (1)            |  |
| 2              | Switch distance 2 mm   |
| 4              | Switch distance 4 mm   |
| (2)            |  |
| 250            | Block Design, 40 x 25 x 12 mm                                    |
| (3)            |  |
| 01             | Opener (NC)  |
| 10             | Normally open contact (NO)                                       |
| 10/01          | Normally open contact (NO) / Opener (NC) with Wiring compartment |
| 11             | Normally open contact (NO) / Opener (NC) antivalent              |
| (4)            |  |
| <i>without</i> | Cable  |
| D              | DC 2-wire  |
| (5)            |  |
| N              | n-type   |
| P              | p-type   |
| (6)            |  |
| 1716           | cable entries from sides   |

## Documents

---

**Operating instructions** (nl) 134 kB, 01.08.2018

Code: mrl\_ifl-allgemein\_nl

**Operating instructions** (en) 128 kB, 31.08.2016

Code: mrl\_ifl-allgemein\_en

**Operating instructions** (pl) 137 kB, 21.10.2016

Code: mrl\_ifl-allgemein\_pl

**Operating instructions** (pt) 109 kB, 06.04.2017

Code: mrl\_ifl-allgemein\_pt

**Operating instructions** (it) 108 kB, 21.10.2016

Code: mrl\_ifl-allgemein\_it

**Operating instructions** (es) 110 kB, 21.10.2016

Code: mrl\_ifl-allgemein\_es

**Operating instructions** (cn) 177 kB, 05.05.2017

Code: mrl\_ifl-allgemein\_cn

**Operating instructions** (de) 131 kB, 31.08.2016

Code: mrl\_ifl-allgemein\_de

**Operating instructions** (fr) 110 kB, 21.10.2016

Code: mrl\_ifl-allgemein\_fr

**Declaration of conformity** (en) 91 kB, 13.04.2017

Code: konfi\_ifl\_en

**Declaration of conformity** (de) 96 kB, 01.07.2016

Code: konfi\_ifl\_de

**CCC certification** (en) 4 MB, 11.07.2018

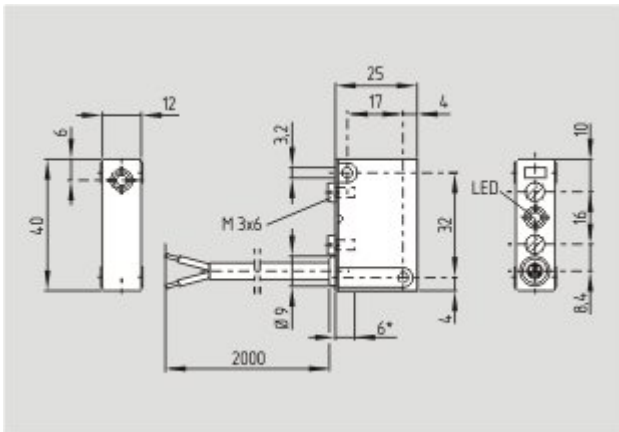
Code: q\_iflp01

**CCC certification** (cn) 4 MB, 11.07.2018

Code: q\_iflp04

## Images

---



Dimensional drawing (basic component)

---

K.A. Schmersal GmbH & Co. KG, Möddinghofe 30, D-42279 Wuppertal

The data and values have been checked thoroughly. Technical modifications and errors excepted.

Generiert am 13.02.2019 - 13:05:31h Kasbase 3.3.0.F.64I