

Datasheet - BPS 40S-1

Safety sensors / BNS 40S / Actuator



- Stainless steel enclosure
- Actuator and sensor on a mounting level

(Minor differences between the printed image and the original product may exist!)

Ordering details

Product type description	BPS 40S-1
Article number	101215268
EAN Code	
eCl@ss	27-27-92-17

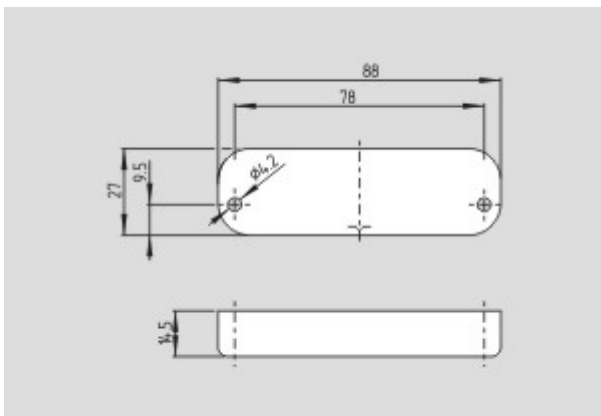
Global Properties

Permanent light	Magnet
Materials	
- Material of the housings	Stainless steel (V4A)
Weight	
Concealed threaded holes on the back (Y/N)	No

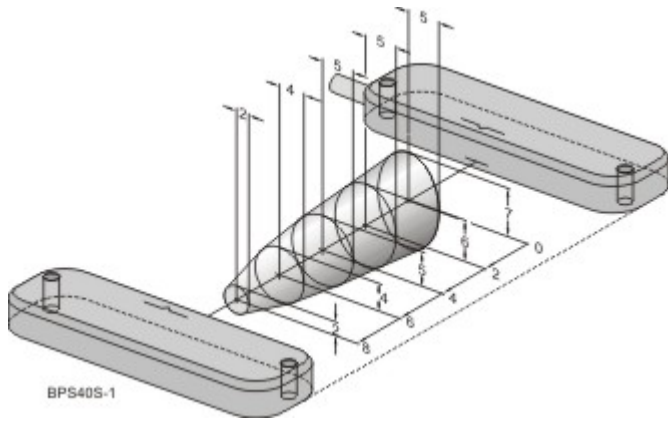
Dimensions

Dimensions of the actuators	
- Width of the actuator	88
- Height of the actuator	27
- Length of the actuator	14.5

Images



Dimensional drawing (basic component)



Characteristic curve

K.A. Schmersal GmbH & Co. KG, Möddinghofe 30, D-42279 Wuppertal
The data and values have been checked thoroughly. Technical modifications and errors excepted.
Generiert am 13.02.2019 - 14:26:55h Kasbase 3.3.0.F.64I