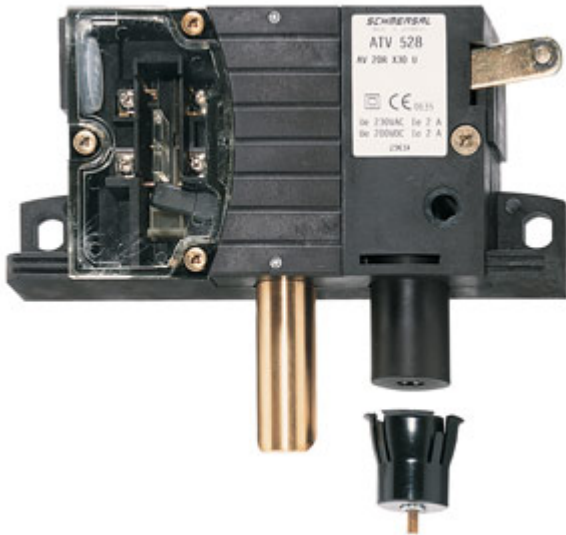


## Datasheet - AV 20RX30U

Door locking devices / AV 20



- right-hand model
- for 1-leaf doors
- Fail-safe locking system
- Thermoplastic enclosure
- authorised for use in passenger elevators
- Manual release by means of M5 triangular key

(Minor differences between the printed image and the original product may exist!)

### Ordering details


Product type description	AV 20RX30U
Article number	101133912
EAN Code	4030661052816
eCl@ss	27-27-26-03

### Approval

Approval



### Global Properties

Permanent light	AV 20
Standards	EN 81-20, EN 81-50
Compliance with the Directives (Y/N) 	Yes
Suitable for safety functions (Y/N)	Yes
Mounting	rear-side mounting holes
Number of door leaves	1
Materials	
- Material of the housings	glass-fibre reinforced thermoplastic, self-extinguishing
- Material of the contacts	Silver

- Locking bolt material	Brass
Weight	550
Latching bolt bevelling	45 bottom

## Mechanical data

---

Cable entry	without cable gland
Design of actuating element	Pull strap
Orientation / Alignment	right-hand model
With fail-safe locking system (Y/N)	Yes
Manual release (Y/N)	Yes
Permanent magnet	Ceramic oxide magnet with high coercive field strength


## Ambient conditions

---

Ambient temperature	
- Min. environmental temperature	-15
- Max. environmental temperature	+70
Protection class	IP54

## Electrical data

---

Design of control element	Opener (NC), Normally open contact (NO)
Switching principle	Slow action
- positive break NC contact 	
Number of auxiliary contacts	1
Number of safety contacts	1
Rated impulse withstand voltage	6
Rated insulation voltage	500
Thermal test current	10 A
Utilisation category	AC-15: 230 V / 2 A, DC-13: 200 V / 2 A
Max. fuse rating	6 A (slow blow)

## Dimensions

---

Dimensions	
- Width	165
- Height	80
- Depth	37

Dimensions of the latching bolt	
- Diameter of the latching bolt	18
- X-dimension of the latching bolt	30

notice **X-dimension of the latching bolt:**  
The overall latching bolt length is the result of the prescribed insertion depth of the latching bolt into the door leaf of 21 mm and the X-dimension. The X-dimension is the distance between the enclosure bottom of the door locking and the door top.

## Accessories

---

notice	Manual release using triangular key M5 available as accessory
--------	---

## Ordering suffix

---

The applicable ordering suffix is added at the end of the part number of the safety switch.

Order example: AV 20RX30U-GB215

...-GB215

additional front-side M8 mounting holes

---

## Ordering code

---

AV 20(1)(2)(3)(4)(5)(6)(7)

(1)	
L	left-hand model
R	right-hand model
(2)	
without	
H	Roller H65
H92	Roller H92
H105	Roller H105
B	Bearing block B
B2	Bearing block B2
(3)	
without	without cable gland
E4	cable gland M20
E1	Cable entry
(4)	
X...	= 11, 5, 20, 30, 40, 45 mm
(5)	
U	45° bottom
D	45° cover-side
R	45° right
L	45° left
(6)	
2509	using triangular key aus Metal film
(7)	
without	
GB215	

---

## Documents

---

**Operating instructions and Declaration of conformity (nl)** 435 kB, 26.06.2018

Code: mrl\_av15\_nl

**Operating instructions and Declaration of conformity (pt)** 419 kB, 08.03.2017

Code: mrl\_av15\_pt

**Operating instructions and Declaration of conformity (pl)** 433 kB, 17.02.2017

Code: mrl\_av15\_pl

**Operating instructions and Declaration of conformity (de)** 404 kB, 06.12.2016

Code: mrl\_av15\_de

**Operating instructions and Declaration of conformity (es)** 418 kB, 12.01.2017

Code: mrl\_av15\_es

**Operating instructions and Declaration of conformity** (cn) 501 kB, 11.05.2017

Code: mrl\_av15\_cn

**Operating instructions and Declaration of conformity** (en) 616 kB, 18.10.2016

Code: mrl\_av15\_en

**Operating instructions and Declaration of conformity** (it) 418 kB, 12.01.2017

Code: mrl\_av15\_it

**Operating instructions and Declaration of conformity** (fr) 422 kB, 12.01.2017

Code: mrl\_av15\_fr

**Operating instructions and Declaration of conformity** (jp) 506 kB, 22.08.2017

Code: mrl\_av15\_jp

**BG-test certificate** (en) 240 kB, 12.05.2016

Code: \_av20p02

**BG-test certificate** (de) 247 kB, 12.05.2016

Code: \_av20p01

**CCC certification** (cn) 2 MB, 11.12.2017

Code: q\_av2p02

**CCC certification** (en) 2 MB, 11.12.2017

Code: q\_av2p01

**EAC certification** (ru) 2 MB, 03.12.2018

Code: q\_0010p17\_ru

**notice** (es) 1 MB, 09.02.2012

Code: s\_aufp01\_es

**notice** (en) 487 kB, 09.02.2012

Code: s\_aufp01\_en

**notice** (fr) 1 MB, 09.02.2012

Code: s\_aufp01\_fr

**notice** (it) 1 MB, 09.02.2012

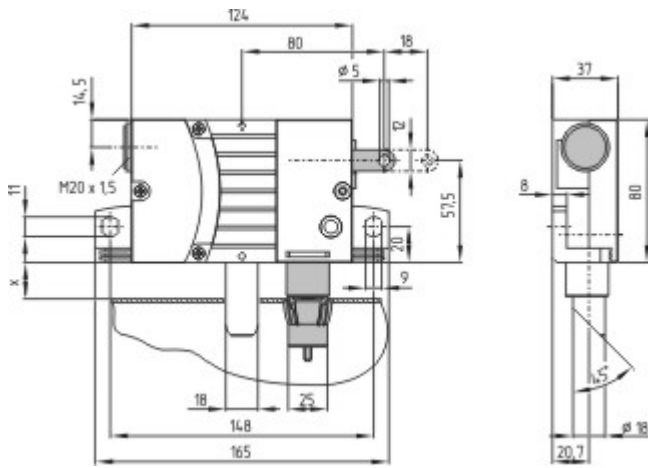
Code: s\_aufp01\_it

**notice** (de) 1 MB, 09.02.2012

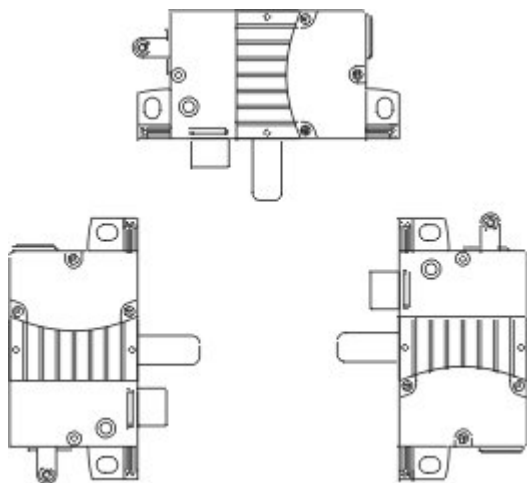
Code: s\_aufp01\_de

## Images

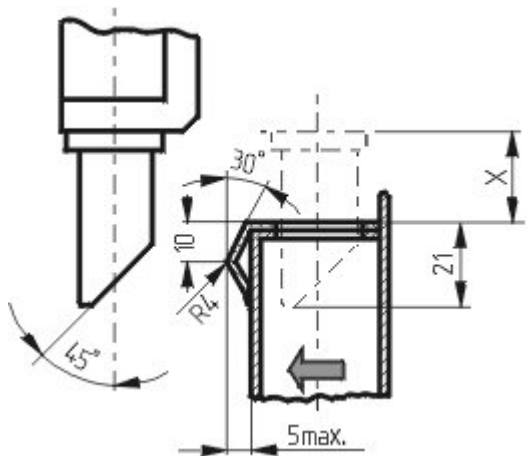
---



Dimensional drawing (basic component)



Assembly example



Assembly example