

Datasheet - EX-T3K335-11YUE



Position switches with safety function / EX-T335 Metal enclosure with Actuator / EX-T 335
Angle roller lever 3K



(Minor differences between the printed image and the original product may exist!)

- Explosion protection for ATEX Zones 1 and 21
- Actuation from bottom parallel to the switch, therefore only suitable for small housings.
- Metal enclosure
- Wide range of alternative actuators
- Good resistance to oil and petroleum spirit
- 40,5 mm x 76 mm x 38 mm
- Actuator heads can be repositioned by 4 x 90°
- Ex-certified screwed cable gland
- Mounting details to EN 50041
- 1 Cable entry M 20 x 1.5
- Ex certified

Ordering details

| | |
|--------------------------|-----------------|
| Product type description | EX-T3K335-11YUE |
| Article number | 101212079 |
| EAN Code | |
| eCl@ss | 27-27-26-01 |

Approval


| | |
|----------|--------------------------|
| Approval | ATEX IECEX INMETRO |
|----------|--------------------------|

Classification

| | |
|-----------------------------------|--|
| Standards | EN ISO 13849-1 |
| B10d Normally-closed contact (NC) | 20.000.000 |
| Mission time | 20 Years |
| notice | $MTTF_d = \frac{B_{10d}}{0,1 \times n_{op}}$ $n_{op} = \frac{d_{ap} \times h_{cp} \times 3600 \text{ s/h}}{t_{cycle}}$ |

Global Properties

| | |
|-----------------|------------------------|
| Permanent light | EX-T335 Winkelhebel 3K |
|-----------------|------------------------|

| | |
|--|--|
| Standards | EN 60079-0, EN 60079-1, EN 60079-7, EN 60079-31, EN 60947-5-1, BG-GS-ET-15 |
| Compliance with the Directives (Y/N)  | Yes |
| Suitable for safety functions (Y/N) | Yes |
| Materials | |
| - Material of the housings | zinc die-cast |
| - Material of the contacts | Silver |
| Housing coating | painted |
| Housing construction form | Norm construction design |
| Weight | 320 |


Mechanical data

| | |
|---|---|
| Design of electrical connection | Screw connection |
| Cable cross-section of the cable glands | |
| - Min. Cable cross-section of the cable glands | 7 |
| - Max. Cable cross-section of the cable glands | 12 |
| Cable section | |
| - Min. Cable section | 1 |
| - Max. Cable section | 2.5 |
| AWG-Number | 13 |
| Mechanical life | > 1.000.000 operations |
| Switching frequency | 1800 |
| notice | All indications about the cable section are including the conductor ferrules. |
| Design of actuating element | Angle roller lever |
| Actuating force | 17 |
| Bounce duration | < 3 |
| Switchover time | in accordance with actuating speed |
| Impact energy | 7 |
| Actuating speed with actuating angle 30° to switch axis | |
| - Min. Actuating speed | |
| - Max. Actuating speed | 0,5 |

Ambient conditions

| | |
|----------------------------------|---|
| Ambient temperature | |
| - Min. environmental temperature | -20 |
| - Max. environmental temperature | +55 °C at Cable section 2.5 +50 °C at Cable section 1 mm |
| Protection class | IP65 |

Electrical data

| | |
|---|---|
| Design of control element | Normally open contact (NO), Opener (NC) |
| Switching principle | Slow action with overlapping contacts |
| - positive break NC contact  | |
| Number of auxiliary contacts | 1 |
| Number of safety contacts | 1 |
| Rated impulse withstand voltage | 4 |
| Rated insulation voltage | 250 |
| Thermal test current | 5 A |
| Utilisation category | AC-1 |
| Max. fuse rating | 6 A gG D-fuse |

ATEX

| | |
|---|---|
| EX-marking | EX II 2D Ex tb IIIC T80°C Db EX II 2G Ex d e IIC T6 Gb |
| Explosion protection categories for gases | 2G |
| Explosion protection Zones for gases | 1 |
| Explosion protected category for dusts | 2D |
| Explosion protection Zones for dusts | 21 |

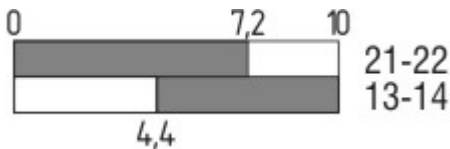
Dimensions

| | |
|--------------------------|-------|
| Dimensions of the sensor | |
| - Width of sensor | 58.25 |
| - Height of sensor | 121.5 |
| - Length of sensor | 38 |






Keywords

| | |
|----------|---|
| Keywords | Ex, EEx, ATEX, Ex 235, Ex 235, 235 Ex, 235ex, 235ex, ATEX 235 |
|----------|---|

Switch travel diagram



Notes Switch travel diagram

-  Contact closed
-  Contact open
-  Setting range
-  Break point
-  Positive opening sequence/- angle
- VS** adjustable range of NO contact
- VÖ** adjustable range of NC contact
- N** after travel

Ordering code

EX-T(1) 335-(2)Y(3)-(4)-(5)

(1)

| | |
|----------------|--|
| S | Plunger S |
| R | Roller plunger R |
| H | Roller lever H |
| 10H | Rod lever 10H |
| 7H | Roller lever 7H |
| 7H-2138 | Roller lever 7H for Position switches with safety function |
| 1K | Offset roller lever 1K |
| 3K | Angle roller lever 3K |

(2)

| | |
|-----------|---|
| 11 | 1 Normally open contact (NO) / 1 Opener (NC) |
| 02 | 2 Opener (NC) |
| 20 | 2 Normally open contact (NO) (Switch with 2 NO contacts are not for |

security tasks)

(3)

UE

without

Slow action with overlapping contacts

Slow action with staggered contacts

(4)

2138

Roller lever 7H for Position switches with safety function

(5)

RMS

Castor aus Brass

Documents

Operating instructions and Declaration of conformity (pl) 403 kB, 06.12.2018

Code: mrl_ext335_pl

Operating instructions and Declaration of conformity (jp) 493 kB, 23.01.2018

Code: mrl_ext335_jp

Operating instructions and Declaration of conformity (en) 347 kB, 24.03.2014

Code: mrl_ext335_en

Operating instructions and Declaration of conformity (en) 481 kB, 16.11.2011

Code: mrl_ext335_en

Operating instructions and Declaration of conformity (en) 385 kB, 25.10.2018

Code: mrl_ext335_en

Operating instructions and Declaration of conformity (pt) 389 kB, 25.10.2018

Code: mrl_ext335_pt

Operating instructions and Declaration of conformity (it) 381 kB, 23.01.2018

Code: mrl_ext335_it

Operating instructions and Declaration of conformity (fr) 389 kB, 06.12.2018

Code: mrl_ext335_fr

Operating instructions and Declaration of conformity (de) 351 kB, 25.10.2018

Code: mrl_ext335_de

Operating instructions and Declaration of conformity (de) 481 kB, 10.11.2011

Code: mrl_ext335_de

Operating instructions and Declaration of conformity (es) 387 kB, 06.12.2018

Code: mrl_ext335_es

Operating instructions and Declaration of conformity (nl) 383 kB, 12.11.2018

Code: mrl_ext335_nl

Operating instructions and Declaration of conformity (br) 390 kB, 25.10.2018

Code: mrl_ext335_br

Operating instructions and Declaration of conformity (sv) 389 kB, 25.10.2018

Code: mrl_ext335_pt

BG-test certificate (en) 483 kB, 26.11.2018

Code: z_ex-p02

BG-test certificate (de) 476 kB, 26.11.2018

Code: z_ex-p01

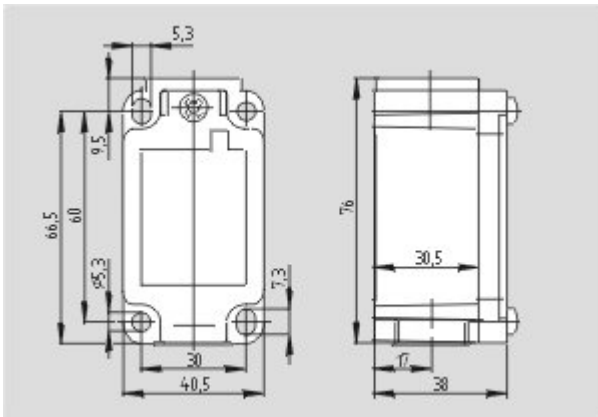
INMETRO certification (br) 533 kB, 24.07.2017

Code: q_ex-p04

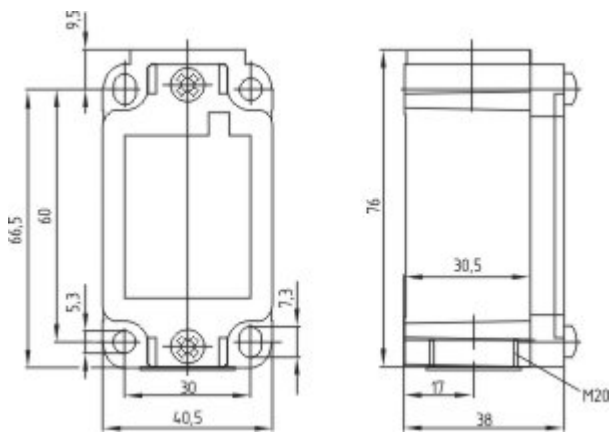
IECEx certification (en) 141 kB, 26.11.2018

Code: p_exp01

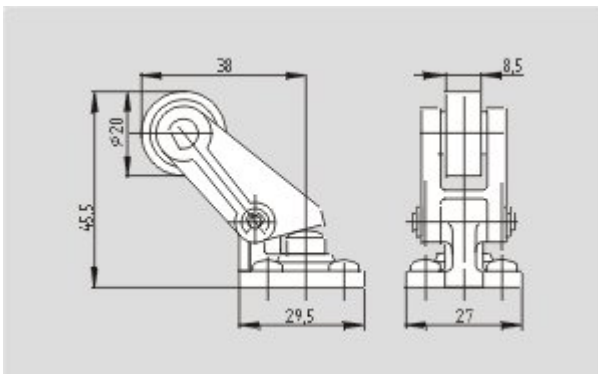
Images



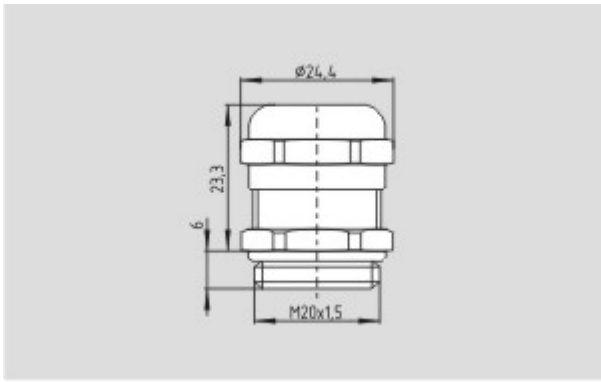
Dimensional drawing (basic component)



Dimensional drawing (basic component)



Dimensional drawing (actuator)



Dimensional drawing (miscellaneous)

K.A. Schmersal GmbH & Co. KG, Möddinghofe 30, D-42279 Wuppertal
The data and values have been checked thoroughly. Technical modifications and errors excepted.
Generiert am 13.02.2019 - 14:11:13h Kasbase 3.3.0.F.64I