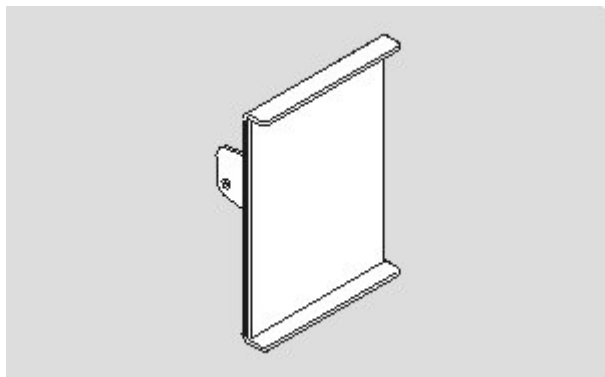


## Datasheet - SMA 80

Safety light barriers / Accessories / Mirror

 Preferred typ

(Minor differences between the printed image and the original product may exist!)

### Ordering details

Product type description	SMA 80
Article number	101150262
EAN Code	4030661155203
eCl@ss	27-27-92-91

### Global Properties

Permanent light	Umlenkspiegel
Weight	300

### Dimensions

Dimensions	
- Width	120 mm
- Height	80 mm
- Depth	

### Images

K.A. Schmersal GmbH & Co. KG, Möddinghofe 30, D-42279 Wuppertal

The data and values have been checked thoroughly. Technical modifications and errors excepted.

Generiert am 13.02.2019 - 14:15:25h Kasbase 3.3.0.F.64I