

Datasheet - AZ 16-03ZI-B1-2053 WITH BALL LATCH



Safety switch with separate actuator / AZ 16ZI / AZ 16ZI-B1 - 2053 WITH BALL LATCH

Preferred typ



- Thermoplastic enclosure
- Individual coding
- Coding level "High" according to ISO 14119
- 52 mm x 90 mm x 30 mm
- Long life
- Double-insulated
- Large wiring compartment
- High level of contact reliability with low voltages and currents
- Insensitive to soiling
- Slotted holes for adjustment, circular holes for location
- For interlocking of light to medium-weight guards
- 3 cable entries M 16 x 1.5

(Minor differences between the printed image and the original product may exist!)

Ordering details

Product type description	AZ 16-03ZI-B1-2053 MIT KUGELRASTUNG
Article number	101150058
EAN Code	4030661154527
eCI@ss	27-27-26-02

Approval

Approval



Classification

Standards	EN ISO 13849-1
B10d Normally-closed contact (NC)	2.000.000
Mission time	20 Years
notice	$MTTF_d = \frac{B_{10d}}{0,1 \times n_{op}}$ $n_{op} = \frac{d_{op} \times h_{cp} \times 3600 \text{ s/h}}{t_{cycle}}$

Global Properties

Permanent light	AZ 16ZI
Standards	EN 60947-5-1, BG-GS-ET-15
Materials	
- Material of the housings	Plastic, glass-fibre reinforced thermoplastic, self-extinguishing
- Material of the contacts	Silver
Housing coating	None
Weight	174

Mechanical data

Design of electrical connection	Screw connection
Cable section	
- Min. Cable section	0,75
- Max. Cable section	2.5
Design of actuators	straight, rigid
Mechanical life	> 1.000.000 operations
notice	All indications about the cable section are including the conductor ferrules.
With ejection force (Y/N)	Yes
Latching force adjustable up to	100 N
Positive break force	30
positive break travel	8 mm
Actuating speed	max. 2 m/s
Minimum actuating radius	250 mm

Ambient conditions

Ambient temperature	
- Min. environmental temperature	-30 °C
- Max. environmental temperature	+80 °C
Protection class	IP67 to IEC/EN 60529

Electrical data

Design of control element	Opener (NC)
Switching principle	Creep circuit element
Number of auxiliary contacts	0
Number of safety contacts	3
Rated impulse withstand voltage U_{imp}	6 kV
Rated insulation voltage U_i	500 V
Thermal test current I_{the}	10 A
Utilisation category	AC-15: 230 V / 4 A, DC-13: 24 V / 4 A
Max. fuse rating	6 A gG D-fuse

ATEX

Explosion protection categories for gases	None
Explosion protected category for dusts	None

Dimensions

Dimensions of the sensor	
- Width of sensor	52 mm

- Height of sensor	90
- Length of sensor	30 mm

notice

Minimum actuating radius on hinged guards 250 mm

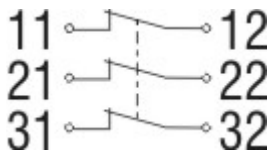
The axis of the hinge should be 5 mm above the top edge of the safety switch and in the same plane

The actuator is not available separately.

Included in delivery

- Individually coded actuator
- tamperproof screws
- Slot sealing plugs

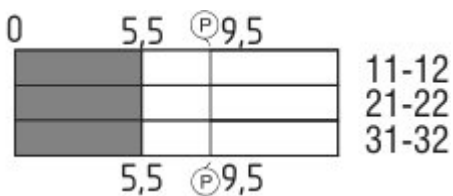
Diagram



Note Diagram

- positive break NC contact
- active
- no active
- Normally-open contact
- Normally-closed contact

Switch travel diagram

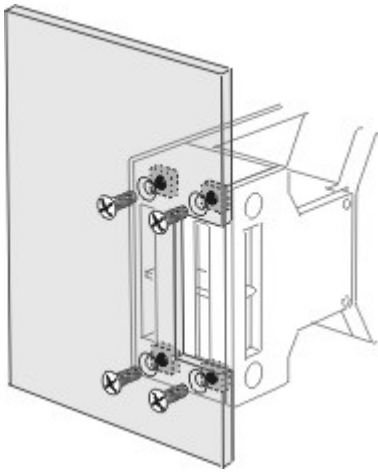


Notes Switch travel diagram

- Contact closed
- Contact open
- Setting range
- Break point
- Positive opening sequence/- angle
- VS** adjustable range of NO contact
- VÖ** adjustable range of NC contact
- N** after travel

Ordering suffix

The applicable ordering suffix is added at the end of the part number of the safety switch.
 Order example: AZ 16-03ZI-B1-2053 WITH BALL LATCH-1762



....-1762

Versions with M5 nuts
For front mounting of safety switch, e.g. on sheet-steel covers
Cannot be retrofitted

....-1637

0,3 µm gold-plated contacts

....-M20

cable entries M20

Ordering code

AZ 16-(1)ZI-(2)-(3)

(1)

3.0

12

(2)

B1

B1-1747

B1-2024

B1-2053

B1-2177

(3)

M16

M20

3 Opener (NC)

1 Normally open contact (NO) / 2 Opener (NC)

Actuator:

straight Design

straight Design with magnetic latch

straight Design with slot sealing plug

straight Design with ball latch

straight Design with centering guide

Cable entry M16

Cable entry M20

Documents

Operating instructions and Declaration of conformity (jp) 732 kB, 20.01.2017

Code: mrl_az16zi_jp

Operating instructions and Declaration of conformity (nl) 492 kB, 02.08.2018

Code: mrl_az16zi_nl

Operating instructions and Declaration of conformity (it) 465 kB, 21.11.2016

Code: mrl_az16zi_it

Operating instructions and Declaration of conformity (pt) 452 kB, 04.12.2015

Code: mrl_az16zi_pt

Operating instructions and Declaration of conformity (da) 361 kB, 25.01.2012

Code: mrl_az16zi_da

Operating instructions and Declaration of conformity (en) 517 kB, 28.09.2016

Code: mrl_az16zi_en

Operating instructions and Declaration of conformity (de) 515 kB, 28.09.2016

Code: mrl_az16zi_de

Operating instructions and Declaration of conformity (ro) 362 kB, 25.01.2012

Code: mrl_az16zi_ro

Operating instructions and Declaration of conformity (fr) 468 kB, 18.11.2016

Code: mrl_az16zi_fr

Operating instructions and Declaration of conformity (es) 471 kB, 21.11.2016

Code: mrl_az16zi_es

Operating instructions and Declaration of conformity (cn) 609 kB, 11.05.2017

Code: mrl_az16zi_cn

Operating instructions and Declaration of conformity (sv) 343 kB, 17.06.2015

Code: mrl_az16zi_sv

Operating instructions and Declaration of conformity (pl) 503 kB, 01.12.2016

Code: mrl_az16zi_pl

BG-test certificate (en) 536 kB, 05.01.2011

Code: z__16p02

BG-test certificate (de) 203 kB, 02.03.2016

Code: z__16p01

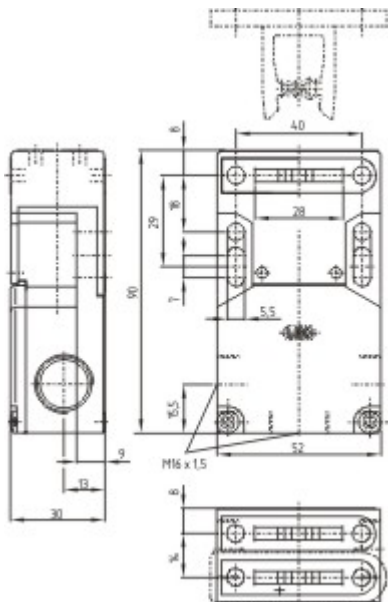
CCC certification (cn) 3 MB, 18.10.2017

Code: q_175p03

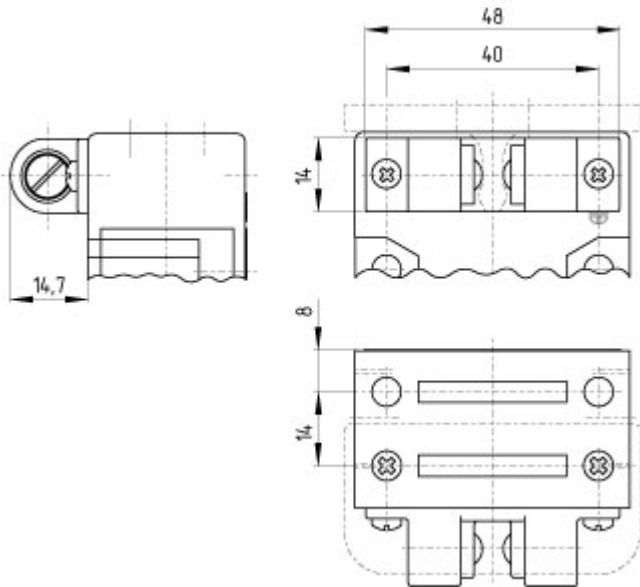
CCC certification (en) 3 MB, 29.08.2017

Code: q_175p02

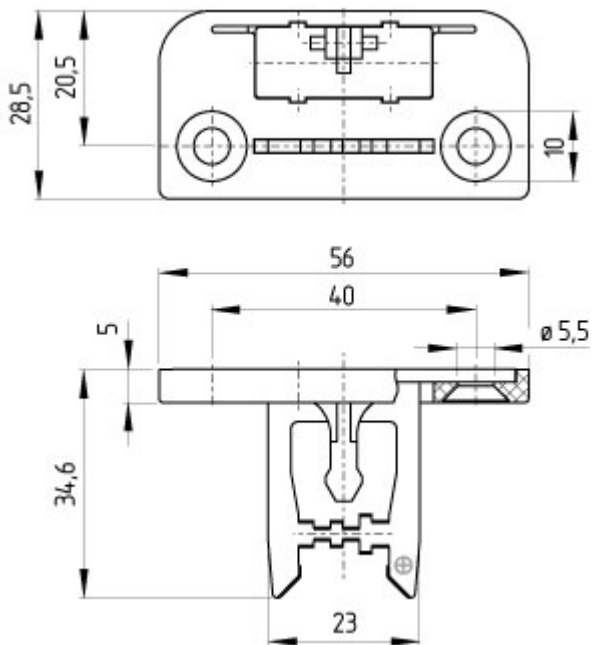
Images



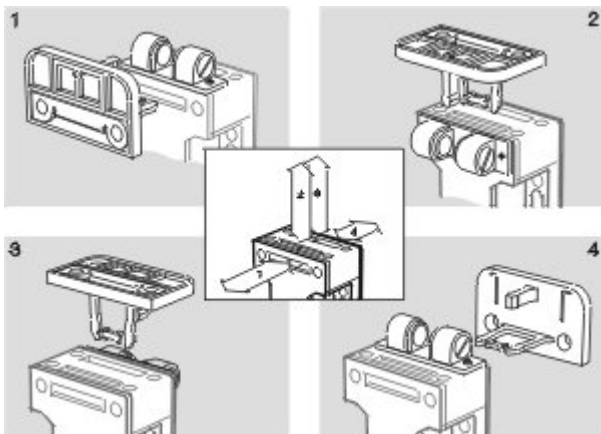
Dimensional drawing (basic component)



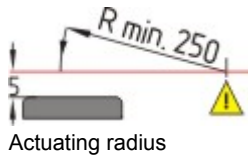
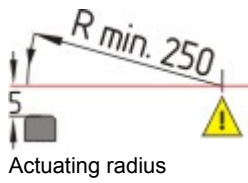
Dimensional drawing (miscellaneous)



Dimensional drawing (miscellaneous)



Operating principle



System components

Mounting accessories



1135338 - TAMPERPROOF SCREWS M 5 x 12

- To mount the actuator
- Higher protection against tampering with interlock
- Protects against unauthorised removal of actuator
- Various lengths available



101135339 - TAMPERPROOF SCREWS M 5 x 16

- To mount the actuator
- Higher protection against tampering with interlock
- Protects against unauthorised removal of actuator
- Various lengths available



101135340 - TAMPERPROOF SCREWS M 5 x 20

- To mount the actuator
- Higher protection against tampering with interlock
- Protects against unauthorised removal of actuator
- Various lengths available

K.A. Schmersal GmbH & Co. KG, Mödinghofe 30, D-42279 Wuppertal

The data and values have been checked thoroughly. Technical modifications and errors excepted.

Generiert am 13.02.2019 - 14:36:26h Kasbase 3.3.0.F.64I