

Datasheet - TL 461-03Y

Position switch / medium heavy Position switch / T/M 461 - (T 461 M 461) / 461 Roller lever L



- Metal enclosure
- 118 mm x 155 mm x 64 mm (basic component)
- Actuator head can be repositioned in steps 4 x 90°
- Continuous adjustment of lever position 360°
- Lever can be transposed by 180°
- In temperature-resistant version, the roller can be mounted in two different positions on the shaft
- 2 cable entries M 20 x 1.5

(Minor differences between the printed image and the original product may exist!)

Ordering details


| | |
|--------------------------|---------------|
| Product type description | TL 461-03Y |
| Article number | 101059428 |
| EAN Code | 4030661036038 |
| eCl@ss | 27-27-06-01 |

Approval

Approval



Global Properties

| | |
|--|--------------------------|
| Permanent light | 461 Rollenschwenkhebel L |
| Standards | EN 60947-5-1 |
| Compliance with the Directives (Y/N)  | Yes |
| Suitable for safety functions (Y/N) | No |
| Standard housing (Y/N) | No |
| Materials | |
| - Material of the housings | cast iron, galvanized |
| - Roller material | Plastic |
| - Material of the contacts | Silver |
| Housing coating | painted |

| | |
|------------|--------|
| Weight | 2305 |
| Slide form | Castor |


Mechanical data

| | |
|--|---|
| Design of electrical connection | Screw connection |
| Cable section | |
| - Min. Cable section | 1.5 |
| - Max. Cable section | 2.5 |
| AWG-Number | 13 |
| Active principle | mechanical |
| Mechanical life | 10.000.000 operations |
| notice | All indications about the cable section are including the conductor ferrules. |
| Design of actuating element | Roller lever |
| Bounce duration | |
| Switchover time | |
| Contact opening | 2 x 6 |
| Actuating speed with vertical actuating angle to switch axis | |
| - Min. Actuating speed | 1 |
| - Max. Actuating speed | 3 |
| - Actuating angle from left of switch axis | 30 |
| - Actuating angle from right of switch axis | 30 |

Ambient conditions

| | |
|----------------------------------|----------------------|
| Ambient temperature | |
| - Min. environmental temperature | -30 |
| - Max. environmental temperature | +90 |
| Protection class | IP65 to IEC/EN 60529 |

Electrical data

| | |
|---|-----------------------|
| Design of control element | Opener (NC) |
| - with double break | |
| Switching principle | Creep circuit element |
| - positive break NC contact  | |
| Number of shutters | 0 |
| Number of openers | 3 |
| Rated impulse withstand voltage | 6 |
| Rated insulation voltage | 400 |
| Thermal test current | 16 A |
| Utilisation category | AC-15: 400 V / 4 A |
| Max. fuse rating | 16 A gG D-fuse |

Dimensions

| | |
|--------------------------|-----|
| Dimensions of the sensor | |
| - Width of sensor | 118 |
| - Height of sensor | 248 |
| - Length of sensor | 64 |
| Roller wide | 9 |
| Roller diameter | 36 |

Ordering suffix

The applicable ordering suffix is added at the end of the part number of the safety switch.

Order example: TL 461-03Y- **1276-2**

| | |
|--------------------|--|
| ...- 1276-2 | gold-plated contacts |
| ...- 1801 | Splined shaft and lever available with 10° tothing |
| ...- H | Slow action with staggered contacts |
| ...- RMS | Available with metal roller |

Documents

Operating instructions and Declaration of conformity (nl) 95 kB, 20.07.2018

Code: mrlk_posi-allgemein_nl

Operating instructions and Declaration of conformity (ru) 133 kB, 09.07.2018

Code: mrlk_posi-allgemein_ru

Operating instructions and Declaration of conformity (es) 88 kB, 09.07.2018

Code: mrlk_posi-allgemein_es

Operating instructions and Declaration of conformity (en) 86 kB, 09.07.2018

Code: mrlk_posi-allgemein_en

Operating instructions and Declaration of conformity (cn) 138 kB, 09.07.2018

Code: mrlk_posi-allgemein_cn

Operating instructions and Declaration of conformity (it) 86 kB, 09.07.2018

Code: mrlk_posi-allgemein_it

Operating instructions and Declaration of conformity (jp) 285 kB, 09.07.2018

Code: mrlk_posi-allgemein_jp

Operating instructions and Declaration of conformity (pl) 118 kB, 09.07.2018

Code: mrlk_posi-allgemein_pl

Operating instructions and Declaration of conformity (fr) 85 kB, 09.07.2018

Code: mrlk_posi-allgemein_fr

Operating instructions and Declaration of conformity (pt) 86 kB, 09.07.2018

Code: mrlk_posi-allgemein_pt

Operating instructions and Declaration of conformity (de) 88 kB, 09.07.2018

Code: mrlk_posi-allgemein_de

Declaration of conformity (de) 94 kB, 08.08.2016

Code: __422p01

Declaration of conformity (pl) 129 kB, 08.08.2016

Code: __422p01_pl

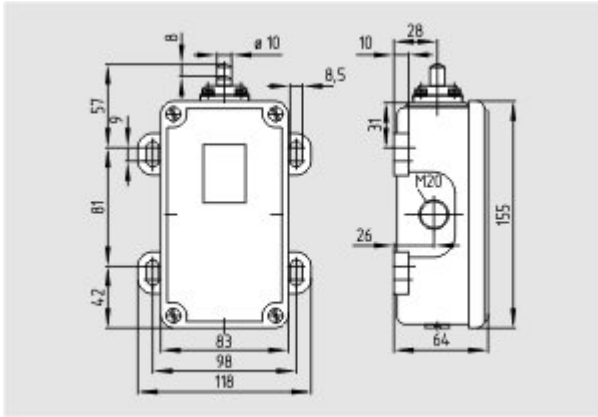
Declaration of conformity (en) 84 kB, 29.11.2018

Code: __422p01_en

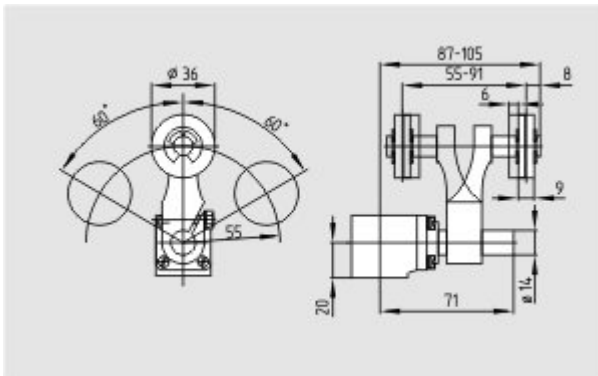
EAC certification (ru) 388 kB, 20.01.2016

Code: q_1527p17_ru

Images



Dimensional drawing (basic component)



Dimensional drawing (miscellaneous)



Operating principle

K.A. Schmersal GmbH & Co. KG, Möddinghofe 30, D-42279 Wuppertal

The data and values have been checked thoroughly. Technical modifications and errors excepted.

Generiert am 13.02.2019 - 13:40:23h Kasbase 3.3.0.F.64l