

Datasheet - BPS 36-2

Safety sensors / BNS 36 / Actuator

 Preferred typ

- Actuator 90 ° attached to the sensor



(Minor differences between the printed image and the original product may exist!)

Ordering details

Product type description	BPS 36-2
Article number	101191859
EAN Code	4030661359670
eCl@ss	27-27-92-17

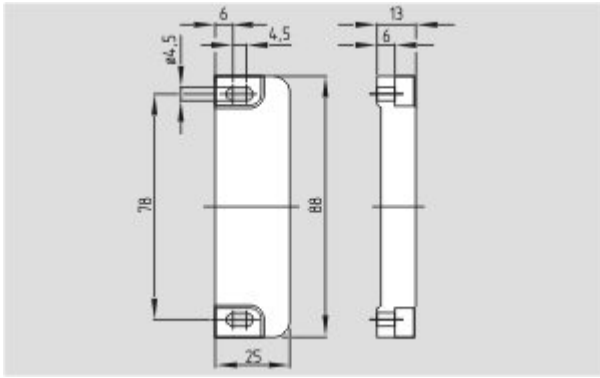
Global Properties

Permanent light	Magnet
Materials	
- Material of the housings	Plastic
Weight	22.5
Actuator and sensor on a mounting level (Y/N)	No
notice	Actuator 90 ° attached to the sensor

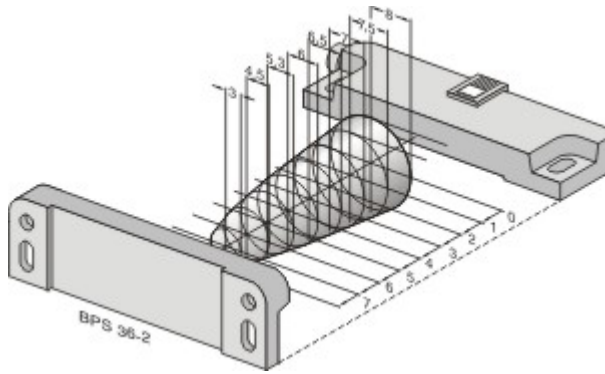
Dimensions

Dimensions of the actuators	
- Width of the actuator	88
- Height of the actuator	25
- Length of the actuator	7

Images



Dimensional drawing (actuator)



Characteristic curve

K.A. Schmersal GmbH & Co. KG, Mödinghofe 30, D-42279 Wuppertal
The data and values have been checked thoroughly. Technical modifications and errors excepted.
Generiert am 13.02.2019 - 14:26:07h Kasbase 3.3.0.F.64I