

## Datasheet - CST 180-1

Safety sensors / CSS 180 / Actuator


 Preferred typ


- Front and lateral actuation of the sensor possible

(Minor differences between the printed image and the original product may exist!)

### Ordering details

Product type description	CST 180-1
Article number	101177198
EAN Code	4030661307985
notice	Sensor and actuator must be ordered separately.
eCl@ss	27-27-92-17

### Global Properties

Permanent light	Magnet
Materials	
- Material of the housings	Plastic
- Material of the terminal fixing	Plastic
Weight	22.8

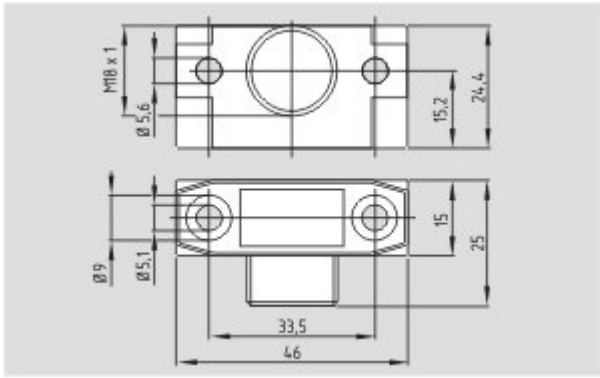
### Dimensions

Dimensions of the actuators	
- Width of the actuator	46
- Height of the actuator	25
- Length of the actuator	24.4

### Included in delivery

Included in delivery	Actuator CST 180-1
----------------------	--------------------

### Images



Dimensional drawing (basic component)

K.A. Schmersal GmbH & Co. KG, Möddinghofe 30, D-42279 Wuppertal

The data and values have been checked thoroughly. Technical modifications and errors excepted.

Generiert am 13.02.2019 - 14:27:32h Kasbase 3.3.0.F.64l