

Datasheet - AZ/AZM 200-B40-RTAG1P1

Solenoid interlock / AZM 200 / Actuator / AZ/AZM 200-B40



(Minor differences between the printed image and the original product may exist!)

- One-hand emergency exit, even in de-energised condition
- Actuator for hinged and movable safety guards, especially for hinged doors with overlapping hinge
- With door detection sensor T
- Easy and intuitive operation
- No risk of injury from protruding actuator
- No supplementary door handles required
- Does not protrude into the door opening
- Various handles available
- Can be fitted with or without emergency exit

Ordering details

Product type description	AZ/AZM 200-B40-RTAG1P1
Article number	101208845
EAN Code	4030661396637
eCl@ss	27-27-06-05

Approval

Approval



notice

Certification in combination with the AZ/AZM 200

Global Properties

Permanent light	AZ/AZM 200-B40
Materials	
- Material of the housings	Plastic, glass-fibre reinforced thermoplastic self-extinguishing
- Material of the actuator	zinc die-cast
- Material of the operators	Aluminium, plastic coating
- Emergency exit material	Metal film, plastic-coated
Weight	1445
Door detection sensor (Y/N)	Yes

Mechanical data

Mechanical life	≥ 1.000.000 operations
Emergency unlocking device (Y/N)	Yes
Grip	handle/handle
Clamping force	2000
Actuator mounted	outside
Door hinge	right

Dimensions

Dimensions of the actuators

- Width of the actuator	230
- Height of the actuator	115
- Length of the actuator	60

Emergency exit dimensions

- Width of the emergency exit	115
- Height of the emergency exit	115
- Length of the emergency exit	60

Included in delivery

The safety switch / solenoid interlock and the actuator unit must be ordered separately.

Ordering code

AZ/AZM 200-B40-(1)TA(2)(3)

(1)	
L	Door hinge on left-hand side
R	Door hinge on right-hand side
(2)	
G1	with handle
G2	with Rotating knob
(3)	
<i>without</i>	without Emergency exit
P1	with Emergency exit
P20	with Emergency exit Metal film
P25	with Emergency exit Inset handle

Documents

Operating instructions and Declaration of conformity (pt) 1 MB, 22.01.2018

Code: mrl_az-azm201-b40_pt

Operating instructions and Declaration of conformity (fr) 1 MB, 24.11.2017

Code: mrl_az-azm201-b40_fr

Operating instructions and Declaration of conformity (de) 999 kB, 10.11.2017

Code: mrl_az-azm201-b40_de

Operating instructions and Declaration of conformity (it) 1 MB, 03.01.2018

Code: mrl_az-azm201-b40_it

Operating instructions and Declaration of conformity (pl) 1 MB, 23.03.2018

Code: mrl_az-azm201-b40_pl

Operating instructions and Declaration of conformity (en) 1 MB, 10.11.2017

Code: mrl_az-azm201-b40_en

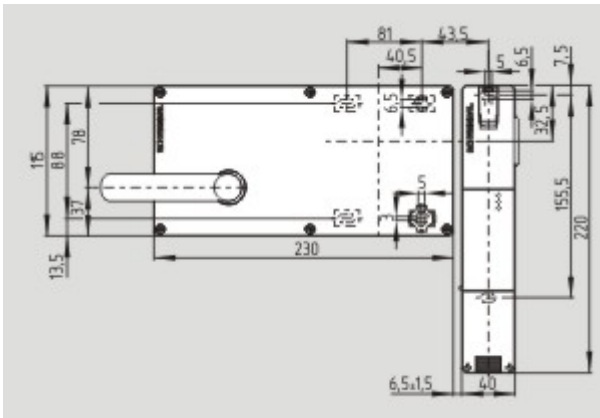
Operating instructions and Declaration of conformity (nl) 1 MB, 02.08.2018

Code: mrl_az-azm201-b40_nl

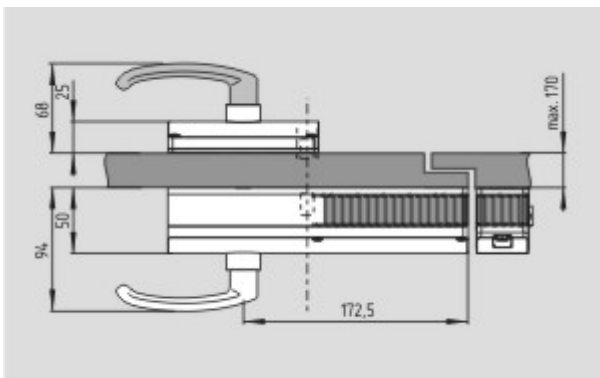
Images



Product photo



Dimensional drawing (miscellaneous)



Dimensional drawing (miscellaneous)
