

Datasheet - RDLMRT

Command and signalling devices / Push buttons and pilot lights - "R" Program / RDL -
Illuminated pushbutton



- Illuminated pushbutton with membrane
- Symbols still clearly visible under transparent membrane

(Minor differences between the printed image and the original product may exist!)

Ordering details


Product type description	RDLMRT
Article number	101188170
EAN Code	
eCl@ss	27-37-12-13

Approval

Approval



Global Properties

Permanent light	RDL - Illuminated pushbutton with membrane
Standards	IEC/EN 60947-1, EN 60947-5-1
Compliance with the Directives (Y/N) 	No
Suitable for safety functions (Y/N)	No
Mounting	mounting flange RLM
Materials	
- Material of the operators	Glass
- Material of the front ring	Aluminium
Design	Flush-mounted illuminated pushbutton - Front plate mounting
Form	Round
Color	

- Colour of the operating element	■ red
- Colour of the front ring	■ Silver
Weight	45
Can be illuminated (Y/N)	Yes
With membrane (Y/N)	Yes

Mechanical data

Mechanical life	5.000.000 operations
Switching frequency	1200
Actuating force	1.5
Actuating stroke	4
resistance to shock	< 30
Latching (Y/N)	No
Unlocking type	without
Probing possible (Y/N)	Yes
mounting flange available (Y/N)	Yes
Front plate thickness	
- min. front plate thickness	1.5
- max. front plate thickness	6
Tightening torque for fixing screws	2

Ambient conditions

Ambient temperature	
- Min. environmental temperature	-25
- Max. environmental temperature	+75
Storage and transport temperature	
- Min. Storage and transport temperature	-
- Max. Storage and transport temperature	-
Fully insulated (Y/N)	Yes
Sealing type	membrane, lip seal, Form seals
Protection class	IP65

LED switching conditions display

With integrated LED (Y/N)	No
---------------------------	----

Dimensions

Dimensions	
- Height	12
- Diameter total	39.5
Height of touch surface	1.5
Diameter of touch surface	28
Hole, diameter	22.3 + 0,4
Spacing	40 x 60

notice

The membrane protects the button against grinding dust or other pasty, viscous substances.

Included in delivery

Mounting flange RLM (1188815) is included in delivery

Documents

Operating instructions and Declaration of conformity (it) 2 MB, 14.06.2017

Code: mrl_programme-e-n-r_it

Operating instructions and Declaration of conformity (en) 1 MB, 06.11.2018

Code: mrl_programme-e-n-r_en

Operating instructions and Declaration of conformity (pl) 2 MB, 12.10.2017

Code: mrl_programme-e-n-r_pl

Operating instructions and Declaration of conformity (jp) 2 MB, 28.06.2017

Code: mrl_programme-e-n-r_jp

Operating instructions and Declaration of conformity (pt) 2 MB, 31.05.2017

Code: mrl_programme-e-n-r_pt

Operating instructions and Declaration of conformity (de) 1 MB, 06.11.2018

Code: mrl_programme-e-n-r_de

Operating instructions and Declaration of conformity (es) 1 MB, 05.12.2018

Code: mrl_programme-e-n-r_es

Operating instructions and Declaration of conformity (nl) 1 MB, 05.12.2018

Code: mrl_programme-e-n-r_nl

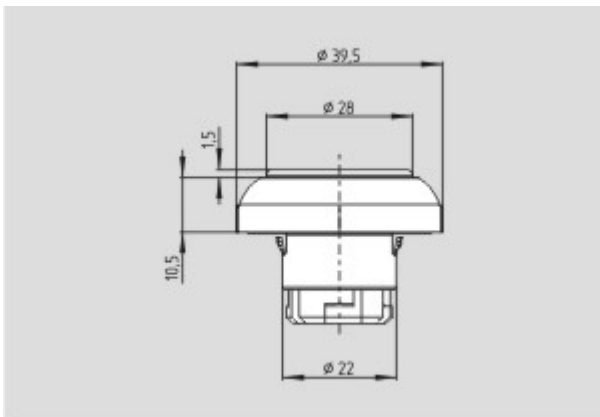
Operating instructions and Declaration of conformity (fr) 1 MB, 05.12.2018

Code: mrl_programme-e-n-r_fr

Operating instructions and Declaration of conformity (cn) 2 MB, 21.06.2017

Code: mrl_programme-e-n-r_cn

Images



Dimensional drawing (basic component)

System components

contact element



contact element RF

- Screw connection
- 1-2 (Contact labelling)

Light terminal block



Light terminal block RLDE

- Screw connection
- Mounting flange position 3
- white LED
- 24



Light terminal block RL

- Print with incandescent lamp symbol

spare part



mounting flange (R)



mounting flange (R)