

Datasheet - AZM190-B3V/7,5

Solenoid interlock / AZM190 / Actuator



- Especially for aluminium profiles

(Minor differences between the printed image and the original product may exist!)

Ordering details

Product type description	AZM190-B3V/7,5
Article number	103009444
EAN Code	
eCl@ss	27-27-92-16

Global Properties

Permanent light	Beweglicher Betätiger AZM190-B3V/7,5 especially for aluminium profiles
Weight	80

Mechanical data

Design of actuators	flexible
Play key in interlocked condition	5
Minimum actuating radius	250

notice

The axis of the hinge should be 30 mm above the top edge of the safety switch and in the same plane

With actuator preset at 7,5°

On hinged guards, minimum actuating radius at 90° to the plane of the actuator 250 mm

Documents

Operating instructions and Declaration of conformity (fr) 193 kB, 14.04.2014

Code: mrl_azm190-betaetiger_fr

Operating instructions and Declaration of conformity (es) 193 kB, 08.08.2014

Code: mrl_azm190-betaetiger_es

Operating instructions and Declaration of conformity (en) 179 kB, 21.03.2014

Code: mrl_azm190-betaetiger_en

Operating instructions and Declaration of conformity (nl) 191 kB, 14.04.2014

Code: mrl_azm190-betaetiger_nl

Operating instructions and Declaration of conformity (jp) 241 kB, 14.04.2014

Code: mrl_azm190-betaetiger_jp

Operating instructions and Declaration of conformity (it) 192 kB, 14.04.2014

Code: mrl_azm190-betaetiger_it

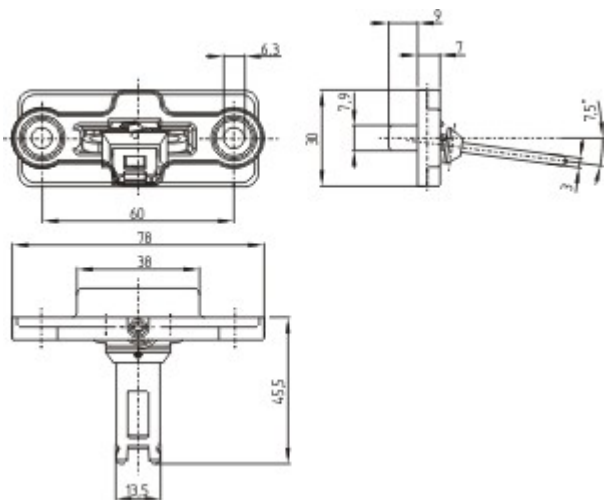
Operating instructions and Declaration of conformity (de) 181 kB, 21.03.2014

Code: mrl_azm190-betaetiger_de

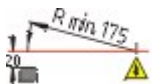
Operating instructions and Declaration of conformity (pl) 229 kB, 14.04.2014

Code: mrl_azm190-betaetiger_pl

Images



Dimensional drawing (actuator)



Actuating radius

K.A. Schmersal GmbH & Co. KG, Möddinghofe 30, D-42279 Wuppertal

The data and values have been checked thoroughly. Technical modifications and errors excepted.

Generiert am 13.02.2019 - 14:48:58h Kasbase 3.3.0.F.64I