

## Datasheet - SZ 415-1



Solenoid interlock / AZM 415 / Door-handle system STS / Accessories / Lockout tag SZ 415

Preferred typ



(Minor differences between the printed image and the original product may exist!)

- Suitable for mounting inside and outside of the hazardous area
- To prevent inadvertent closing, e.g. during maintenance
- For complex plant
- Prevents actuation of the switch
- Lockout tag with 3 circular holes

### Ordering details

Product type description	SZ 415-1
Article number	101147878
EAN Code	4030661144795
eCl@ss	27-27-92-91

### Global Properties

Permanent light	Sperrzange SZ 415
Weight	95

### Mechanical data

Door hinge	right
------------	-------

### Documents

**Mounting and wiring instructions** (en) 199 kB, 03.05.2018

Code: mrl\_sz415-1-2\_en

**Mounting and wiring instructions** (pl) 211 kB, 13.08.2018

Code: mrl\_sz415-1-2\_pl

**Mounting and wiring instructions** (fr) 290 kB, 25.05.2018

Code: mrl\_sz415-1-2\_fr

**Mounting and wiring instructions** (es) 290 kB, 25.05.2018

Code: mrl\_sz415-1-2\_es

**Mounting and wiring instructions** (it) 288 kB, 25.05.2018

Code: mrl\_sz415-1-2\_it

**Mounting and wiring instructions** (pt) 170 kB, 14.08.2018

Code: mrl\_sz415-1-2\_pt

**Mounting and wiring instructions** (nl) 171 kB, 23.07.2018

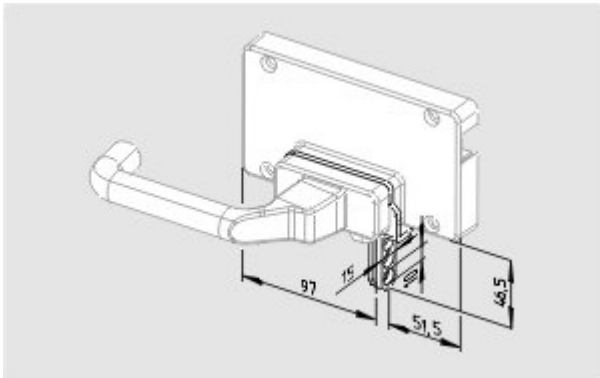
Code: mrl\_sz415-1-2\_nl

**Mounting and wiring instructions** (de) 197 kB, 03.05.2018

Code: mrl\_sz415-1-2\_de

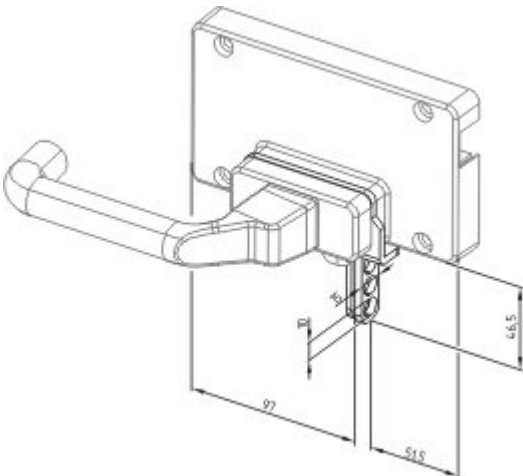
## Images

---



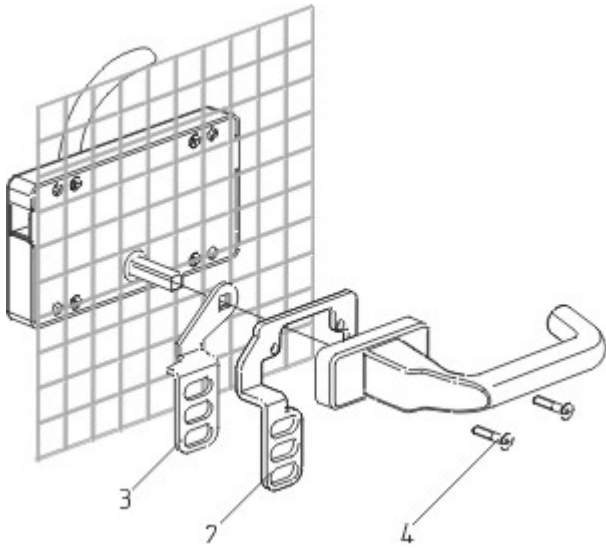
Dimensional drawing (miscellaneous)

---

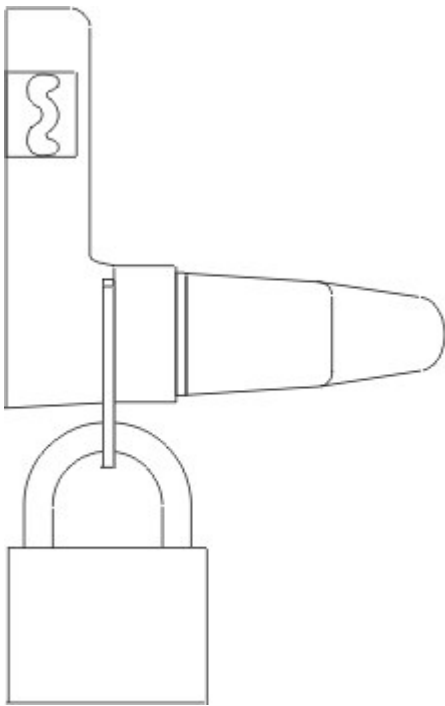


Dimensional drawing (miscellaneous)

---



Assembly example



Operating principle

K.A. Schmersal GmbH & Co. KG, Mödinghofe 30, D-42279 Wuppertal

The data and values have been checked thoroughly. Technical modifications and errors excepted.

Generiert am 13.02.2019 - 14:48:34h Kasbase 3.3.0.F.64I