

Datasheet - AZM 161-B1-1747 WITH MAGNETIC LATCH

Solenoid interlock / AZM 161 / Actuator

 Preferred typ

(Minor differences between the printed image and the original product may exist!)

Ordering details

Product type description	AZM 161-B1-1747 MIT HAFTMAGNET
Article number	101164100
EAN Code	4030661293097
eCl@ss	27-27-92-16

Global Properties

Permanent light	Gerader Betätiger B1-1747 mit Haftmagnet
Weight	35

Mechanical data

Design of actuators	straight, rigid
Minimum actuating radius	150 mm

notice

On hinged guards, minimum actuating radius at 90° to the plane of the actuator 150 mm
 minimum actuating radius on hinged guards in line with the plane of the actuator 150 mm

Documents

Operating instructions (fr) 120 kB, 05.06.2018

Code: mrl_azm161-betaetiger_fr

Operating instructions (en) 118 kB, 04.05.2018

Code: mrl_azm161-betaetiger_en

Operating instructions (pt) 173 kB, 25.05.2018

Code: mrl_azm161-betaetiger_pt

Operating instructions (de) 110 kB, 04.05.2018

Code: mrl_azm161-betaetiger_de

Operating instructions (es) 121 kB, 05.06.2018

Code: mrl_azm161-betaetiger_es

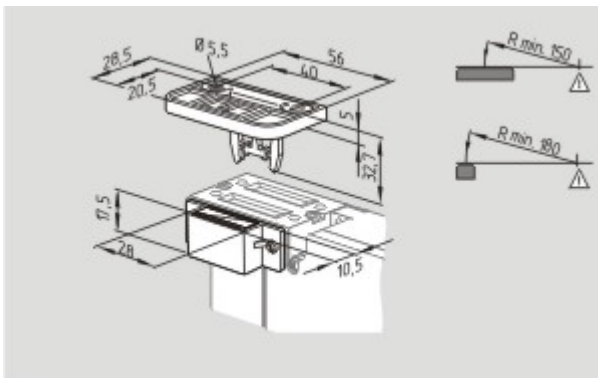
Operating instructions (nl) 126 kB, 23.07.2018

Code: mrl_azm161-betaetiger_nl

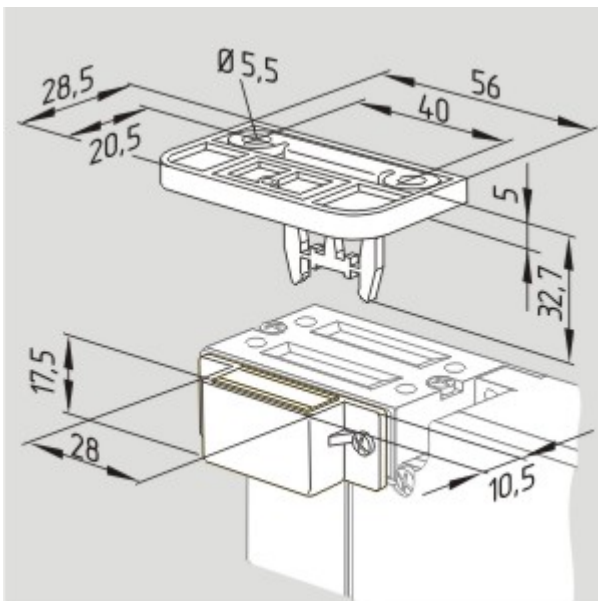
Operating instructions (pl) 165 kB, 13.08.2018

Code: mrl_azm161-betaetiger_pl

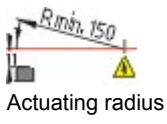
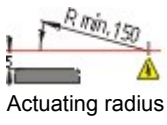
Images



Dimensional drawing (miscellaneous)



Dimensional drawing (miscellaneous)



K.A. Schmersal GmbH & Co. KG, Möddinghofe 30, D-42279 Wuppertal
The data and values have been checked thoroughly. Technical modifications and errors excepted.
Generiert am 13.02.2019 - 14:41:56h Kasbase 3.3.0.F.64I