

Datasheet - CST 30-1

Safety sensors / CSS 30 / Actuator



- Thermoplastic enclosure

(Minor differences between the printed image and the original product may exist!)

Ordering details

Product type description	CST 30-1
Article number	101209887
EAN Code	4030661386829
notice	Sensor and actuator must be ordered separately.
eCl@ss	27-27-92-17

Approval

Approval



BG

Certification in combination with the CSS 30 under preparation

Global Properties

Permanent light	Magnet
Materials	
- Material of the housings	Plastic
Weight	35

Dimensions

Dimensions of the actuators	
- Width of the actuator	15
- Diameter of the actuator	M30

Included in delivery

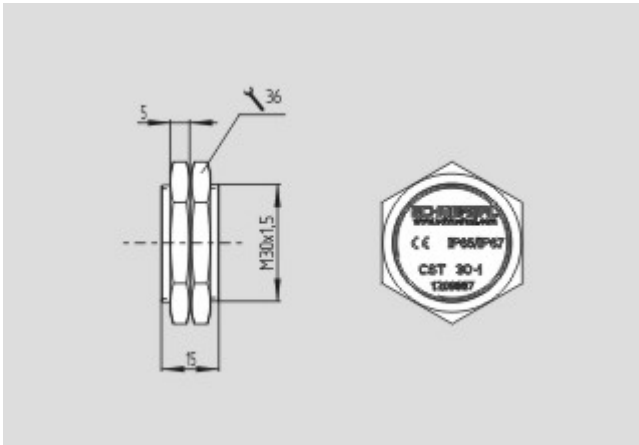
Actuator CST 30-1

1 piece

Nuts M30

2 piece

Images



Dimensional drawing (actuator)

K.A. Schmersal GmbH & Co. KG, Möddinghofe 30, D-42279 Wuppertal

The data and values have been checked thoroughly. Technical modifications and errors excepted.

Generiert am 13.02.2019 - 14:27:59h Kasbase 3.3.0.F.64I