

## Datasheet - MX 064-31Y

Position switch / heavy Position switch / 064 / 064 Offset roller lever X



- Metal enclosure
- 184 mm x 111 mm x 149 mm (basic component)
- 2 cable entries M 25 x 1.5
- 3 or 4 Contacts
- Actuator heads can be repositioned by 4 x 90°

(Minor differences between the printed image and the original product may exist!)

### Ordering details

Product type description	MX 064-31Y
Article number	101056972
EAN Code	
eCl@ss	27-27-06-01

### Approval

Approval



### Global Properties

Permanent light	064 Rollenhebel X
Standards	EN 60947-5-1
Compliance with the Directives (Y/N)	Yes
Suitable for safety functions (Y/N)	No
Standard housing (Y/N)	No
Materials	
- Material of the housings	cast iron, galvanized
- Roller material	Plastic
- Material of the contacts	Silver
Housing coating	painted
Weight	3850
Slide form	Castor

## Mechanical data

---

Design of electrical connection	Screw connection
Cable section	
- Min. Cable section	1.5
- Max. Cable section	4
AWG-Number	11
Active principle	mechanical
Mechanical life	30.000 operations
Switching frequency	max. 1000 /h
notice	All indications about the cable section are including the conductor ferrules.
Design of actuating element	Offset roller lever
Contact opening	2 x 4
Actuating speed with vertical actuating angle to switch axis	
- Min. Actuating speed	0,01 m/s
- Max. Actuating speed	1
- Actuating angle from left of switch axis	30
- Actuating angle from right of switch axis	45

## Ambient conditions

---

Ambient temperature	
- Min. environmental temperature	-30
- Max. environmental temperature	+90
Protection class	IP65 to IEC/EN 60529

## Electrical data

---

Design of control element	Normally open contact (NO) Opener (NC)
- Change-over contact with double break	
- galvanically separated contact bridges	
Switching principle	Snap switch element
Number of shutters	3
Number of openers	1
Rated impulse withstand voltage $U_{imp}$	6 kV
Rated insulation voltage $U_i$	500 V
Thermal test current $I_{the}$	25 A
Utilisation category	AC-15: 400 V / 25 A
Max. fuse rating	16 A gL/gG D-fuse

## Dimensions

---

Dimensions of the sensor	
- Width of sensor	
- Height of sensor	107
- Length of sensor	149
Roller wide	6.5
Roller diameter	25

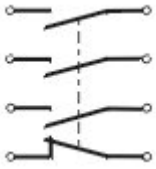
## notice

---


notice	<b>Actuation from the right should be avoided, since this reduces the mechanical life of the position switch.</b>
--------	---

## Diagram


---

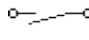


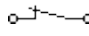
Note Diagram

 positive break NC contact

 active

 no active

 Normally-open contact

 Normally-closed contact

## Ordering suffix

---

The applicable ordering suffix is added at the end of the part number of the safety switch.

Order example: MX 064-31Y-RMS

...-RMS

Available with metal roller

## Ordering code

---

T(1) 064-(2)Y-(3)

(1)

L	Roller lever L
A	Roller lever A
2A	Roller lever 2A
V	Roller lever V
Z	Pull lever Z
2Z	Pull lever 2Z
C	Fork lever C
4D	Offset roller lever 4D

(2)

03	3 Opener (NC)
12	1 Normally open contact (NO) / 2 Opener (NC)
21	2 Normally open contact (NO) / 1 Opener (NC)
30	3 Normally open contact (NO)
01/02	1 Opener (NC) left / 2 Opener (NC) right
02/01	2 Opener (NC) left / 1 Opener (NC) right
10/20	1 Normally open contact (NO) left / 2 Normally open contact (NO) right
20/10	2 Normally open contact (NO) left / 1 Normally open contact (NO) right

(3)

UE	Slow action with overlapping contacts
H	Slow action with staggered contacts
R	latching 2x45°

## Documents

---

Code: mrlk\_posi-allgemein\_nl

**Operating instructions and Declaration of conformity** (ru) 133 kB, 09.07.2018

Code: mrlk\_posi-allgemein\_ru

**Operating instructions and Declaration of conformity** (es) 88 kB, 09.07.2018

Code: mrlk\_posi-allgemein\_es

**Operating instructions and Declaration of conformity** (en) 86 kB, 09.07.2018

Code: mrlk\_posi-allgemein\_en

**Operating instructions and Declaration of conformity** (cn) 138 kB, 09.07.2018

Code: mrlk\_posi-allgemein\_cn

**Operating instructions and Declaration of conformity** (it) 86 kB, 09.07.2018

Code: mrlk\_posi-allgemein\_it

**Operating instructions and Declaration of conformity** (jp) 285 kB, 09.07.2018

Code: mrlk\_posi-allgemein\_jp

**Operating instructions and Declaration of conformity** (pl) 118 kB, 09.07.2018

Code: mrlk\_posi-allgemein\_pl

**Operating instructions and Declaration of conformity** (fr) 85 kB, 09.07.2018

Code: mrlk\_posi-allgemein\_fr

**Operating instructions and Declaration of conformity** (pt) 86 kB, 09.07.2018

Code: mrlk\_posi-allgemein\_pt

**Operating instructions and Declaration of conformity** (de) 88 kB, 09.07.2018

Code: mrlk\_posi-allgemein\_de

**Declaration of conformity** (en) 86 kB, 19.12.2018

Code: konfi\_mrl\_tm064\_en

**Declaration of conformity** (de) 88 kB, 04.04.2017

Code: konfi\_mrl\_tm064\_de

**CCC certification** (en) 1 MB, 24.07.2017

Code: q\_355p02

**CCC certification** (cn) 1 MB, 24.07.2017

Code: q\_355p03

**EAC certification** (ru) 388 kB, 20.01.2016

Code: q\_1527p17\_ru

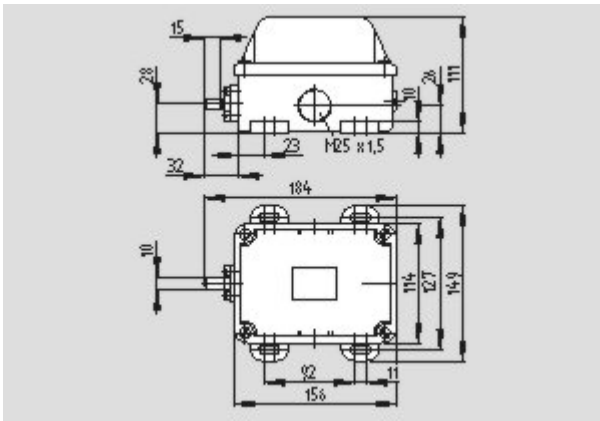
## Images

---



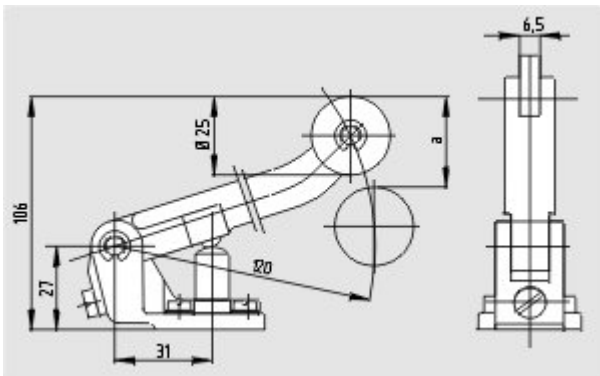
Product photo

---



Dimensional drawing (basic component)

---



Dimensional drawing (miscellaneous)

---



Operating principle

---

K.A. Schmersal GmbH & Co. KG, Möddinghofe 30, D-42279 Wuppertal  
The data and values have been checked thoroughly. Technical modifications and errors excepted.  
Generiert am 13.02.2019 - 13:30:09h Kasbase 3.3.0.F.64I