

## Datasheet - AZ 415-33ZPK

Safety switch with separate actuator / AZ 415



(Minor differences between the printed image and the original product may exist!)

- Metal enclosure
- Long life
- High level of contact reliability with low voltages and currents
- Adjustable ball latch to 400 N
- 2 cable entries M 20 x 1.5
- Spring-loaded actuators
- for double doors
- 3 switches with different actuating functions in one enclosure
- 141 mm x 125 mm x 46,5 mm

### Ordering details

Product type description	AZ 415-33ZPK
Article number	101164611
EAN Code	4030661206523
eCl@ss	27-27-26-02

### Approval

Approval



### Classification

Standards	EN ISO 13849-1
B10d Normally-closed contact (NC)	2.000.000
B10d Normally open contact (NO)	1.000.000
- notice	at 10% I <sub>e</sub> and ohmic load
Mission time	20 Years
notice	$MTTF_d = \frac{B_{10d}}{0,1 \times n_{op}}$ $n_{op} = \frac{d_{op} \times h_{op} \times 3600 \text{ s/h}}{t_{cycle}}$

### Global Properties

Permanent light	AZ 415
Standards	EN 60947-5-1, BG-GS-ET-15
Compliance with the Directives (Y/N)	Yes
Number of guard doors	2
Materials	

- Material of the housings	Aluminium
- Material of the contacts	Silver
Housing coating	painted
Weight	1045

## Mechanical data

---

Design of electrical connection	Screw connection
Cable section	
- Min. Cable section	2 x 0,75
- Max. Cable section	2 x 1.5
Mechanical life	> 1.000.000 operations
notice	All indications about the cable section are including the conductor ferrules.
higher Latching force (Y/N)	No
Latching force	80 N ... 400 N
Positive break force	15
positive break travel	5.5
Max. Actuating speed	0,2 m/s

## Ambient conditions

---

Ambient temperature	
- Min. environmental temperature	-25
- Max. environmental temperature	+80
Protection class	IP67 to IEC/EN 60529

## Electrical data

---

Design of control element	Normally open contact (NO), Opener (NC)
Switching principle	Creep circuit element
Number of auxiliary contacts	3
Number of safety contacts	3
Rated impulse withstand voltage $U_{imp}$	4 kV
Rated insulation voltage $U_i$	250 V
Thermal test current $I_{the}$	6 A
Utilisation category	AC-15: 230 V / 4 A; DC-13: 24 V / 4 A
Max. fuse rating	6 A gG D-fuse To DIN EN 60269-1

## ATEX

---

Explosion protection categories for gases	None
Explosion protected category for dusts	None

## Dimensions

---

Dimensions of the sensor	
- Width of sensor	141
- Height of sensor	125
- Length of sensor	46.5

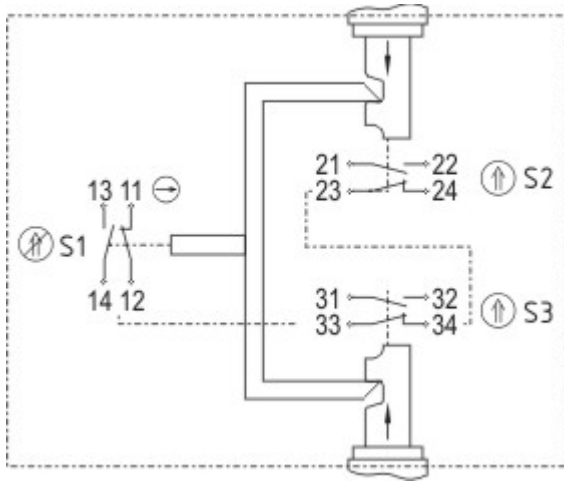
## Included in delivery

---




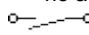
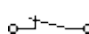
Actuators must be ordered separately.

## Diagram

---



Note Diagram

-  positive break NC contact
-  active
-  no active
-  Normally-open contact
-  Normally-closed contact

## Ordering suffix

---

The applicable ordering suffix is added at the end of the part number of the safety switch.

Order example: AZ 415-33ZPDK-1637

....-1637

0,3 µm gold-plated contacts

## Documents

---

**Operating instructions and Declaration of conformity** (fr) 273 kB, 19.12.2017

Code: mrl\_az415-33zpdk\_fr

**Operating instructions and Declaration of conformity** (de) 260 kB, 10.11.2017

Code: mrl\_az415-33zpdk\_de

**Operating instructions and Declaration of conformity** (cn) 358 kB, 21.06.2017

Code: mrl\_az415-33zpdk\_cn

**Operating instructions and Declaration of conformity** (en) 273 kB, 09.11.2017

Code: mrl\_az415-33zpdk\_en

**Operating instructions and Declaration of conformity** (es) 272 kB, 19.12.2017

Code: mrl\_az415-33zpdk\_es

**BG-test certificate** (de) 1 MB, 07.06.2017

Code: z\_z41p01

**BG-test certificate** (en) 1 MB, 07.06.2017

Code: z\_z41p02

**CCC certification** (cn) 3 MB, 18.10.2017

Code: q\_175p03

**CCC certification** (en) 3 MB, 29.08.2017

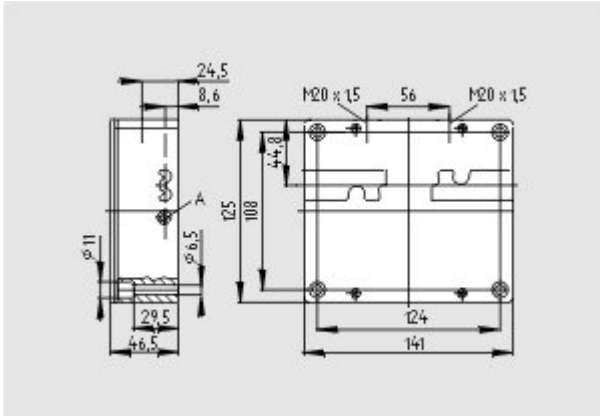
Code: q\_175p02

**EAC certification** (ru) 844 kB, 05.10.2015

Code: q\_6037p17\_ru

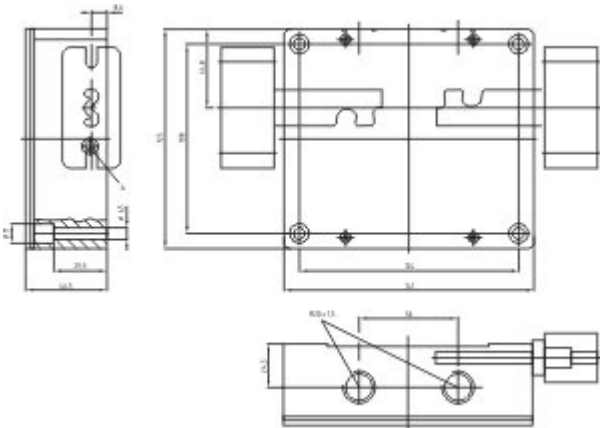
## Images

---



Dimensional drawing (basic component)

---



Dimensional drawing (basic component)

---

K.A. Schmersal GmbH & Co. KG, Mödinghofe 30, D-42279 Wuppertal

The data and values have been checked thoroughly. Technical modifications and errors excepted.

Generiert am 13.02.2019 - 14:39:18h Kasbase 3.3.0.F.64I