

## Datasheet - EX-T1K335-02Y



Position switches with safety function / EX-T335 Metal enclosure with Actuator / EX-T 335  
Offset roller lever 1K



(Minor differences between the printed image and the original product may exist!)

- Explosion protection for ATEX Zones 1 and 21
- Metal enclosure
- Wide range of alternative actuators
- Good resistance to oil and petroleum spirit
- 40,5 mm x 76 mm x 38 mm
- Actuator heads can be repositioned by 4 x 90°
- Ex-certified screwed cable gland
- Mounting details to EN 50041
- 1 Cable entry M 20 x 1.5
- Ex certified

### Ordering details

Product type description	EX-T1K335-02Y
Article number	101212073
EAN Code	
eCl@ss	27-27-26-01

### Approval

Approval	ATEX IECEX INMETRO
----------	--------------------------

### Classification

Standards	EN ISO 13849-1
B10d Normally-closed contact (NC)	20.000.000
Mission time	20 Years
notice	$MTTF_d = \frac{B_{10d}}{0,1 \times n_{op}}$ $n_{op} = \frac{d_{sp} \times h_{sp} \times 3600 \text{ s/h}}{t_{cycle}}$

### Global Properties

Permanent light	EX-T335 Rollenhebel 1K
-----------------	------------------------

Standards	EN 60079-0, EN 60079-1, EN 60079-7, EN 60079-31, EN 60947-5-1, BG-GS-ET-15
Compliance with the Directives (Y/N) 	Yes
Suitable for safety functions (Y/N)	Yes
Materials	
- Material of the housings	zinc die-cast
- Material of the contacts	Silver
Housing coating	painted
Housing construction form	Norm construction design
Weight	320

## Mechanical data

---

Design of electrical connection	Screw connection
Cable cross-section of the cable glands	
- Min. Cable cross-section of the cable glands	7
- Max. Cable cross-section of the cable glands	12
Cable section	
- Min. Cable section	1
- Max. Cable section	2.5
AWG-Number	13
Mechanical life	> 1.000.000 operations
Switching frequency	1800
notice	All indications about the cable section are including the conductor ferrules.
Design of actuating element	Offset roller lever
Actuating force	17
Bounce duration	< 3
Switchover time	in accordance with actuating speed
Impact energy	7
Actuating speed with actuating angle 30° to switch axis	
- Min. Actuating speed	
- Max. Actuating speed	0,5

## Ambient conditions

---

Ambient temperature	
- Min. environmental temperature	-20
- Max. environmental temperature	+55 °C at Cable section 2.5 +50 °C at Cable section 1 mm
Protection class	IP65

## Electrical data

---

Design of control element	Opener (NC)
Switching principle	Slow action
- positive break NC contact 	
Number of auxiliary contacts	0
Number of safety contacts	2
Rated impulse withstand voltage	4
Rated insulation voltage	250
Thermal test current	5 A
Utilisation category	AC-1
Max. fuse rating	6 A gG D-fuse

## ATEX

---

EX-marking	EX II 2D Ex tb IIIC T80°C Db EX II 2G Ex d e IIC T6 Gb
Explosion protection categories for gases	2G
Explosion protection Zones for gases	1
Explosion protected category for dusts	2D
Explosion protection Zones for dusts	21

## Dimensions

---

Dimensions of the sensor	
- Width of sensor	40.5
- Height of sensor	118.5
- Length of sensor	38

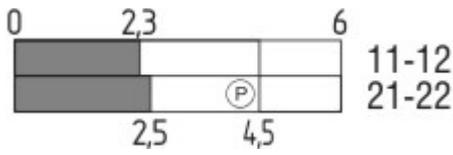
## Keywords

---

Keywords	Ex, EEx, ATEX, Ex 235, Ex 235, 235 Ex, 235ex, 235ex, ATEX 235
----------	---

## Switch travel diagram

---



Notes Switch travel diagram

- Contact closed
- Contact open
- Setting range
- Break point
- Positive opening sequence/- angle
- VS** adjustable range of NO contact
- VÖ** adjustable range of NC contact
- N** after travel

## Ordering code

---

EX-T(1) 335-(2)Y(3)-(4)-(5)

(1)

<b>S</b>	Plunger S
<b>R</b>	Roller plunger R
<b>H</b>	Roller lever H
<b>10H</b>	Rod lever 10H
<b>7H</b>	Roller lever 7H
<b>7H-2138</b>	Roller lever 7H for Position switches with safety function
<b>1K</b>	Offset roller lever 1K
<b>3K</b>	Angle roller lever 3K

(2)

<b>11</b>	1 Normally open contact (NO) / 1 Opener (NC)
<b>02</b>	2 Opener (NC)
<b>20</b>	2 Normally open contact (NO) (Switch with 2 NO contacts are not for

security tasks)

(3)

UE

without

Slow action with overlapping contacts

Slow action with staggered contacts

(4)

2138

Roller lever 7H for Position switches with safety function

(5)

RMS

Castor aus Brass

## Documents

---

**Operating instructions and Declaration of conformity** (pl) 403 kB, 06.12.2018

Code: mrl\_ext335\_pl

**Operating instructions and Declaration of conformity** (jp) 493 kB, 23.01.2018

Code: mrl\_ext335\_jp

**Operating instructions and Declaration of conformity** (en) 347 kB, 24.03.2014

Code: mrl\_ext335\_en

**Operating instructions and Declaration of conformity** (en) 481 kB, 16.11.2011

Code: mrl\_ext335\_en

**Operating instructions and Declaration of conformity** (en) 385 kB, 25.10.2018

Code: mrl\_ext335\_en

**Operating instructions and Declaration of conformity** (pt) 389 kB, 25.10.2018

Code: mrl\_ext335\_pt

**Operating instructions and Declaration of conformity** (it) 381 kB, 23.01.2018

Code: mrl\_ext335\_it

**Operating instructions and Declaration of conformity** (fr) 389 kB, 06.12.2018

Code: mrl\_ext335\_fr

**Operating instructions and Declaration of conformity** (de) 351 kB, 25.10.2018

Code: mrl\_ext335\_de

**Operating instructions and Declaration of conformity** (de) 481 kB, 10.11.2011

Code: mrl\_ext335\_de

**Operating instructions and Declaration of conformity** (es) 387 kB, 06.12.2018

Code: mrl\_ext335\_es

**Operating instructions and Declaration of conformity** (nl) 383 kB, 12.11.2018

Code: mrl\_ext335\_nl

**Operating instructions and Declaration of conformity** (br) 390 kB, 25.10.2018

Code: mrl\_ext335\_br

**Operating instructions and Declaration of conformity** (sv) 389 kB, 25.10.2018

Code: mrl\_ext335\_pt

**BG-test certificate** (en) 483 kB, 26.11.2018

Code: z\_ex-p02

**BG-test certificate** (de) 476 kB, 26.11.2018

Code: z\_ex-p01

**INMETRO certification** (br) 533 kB, 24.07.2017

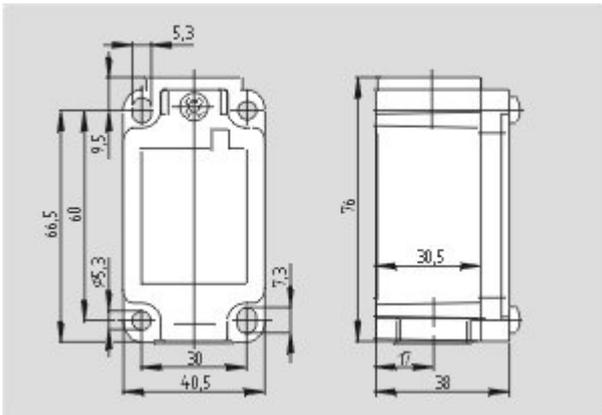
Code: q\_ex-p04

**IECEx certification** (en) 141 kB, 26.11.2018

Code: p\_exp01

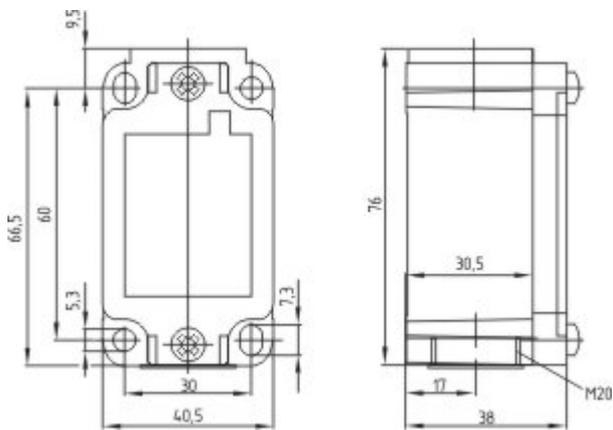
## Images

---



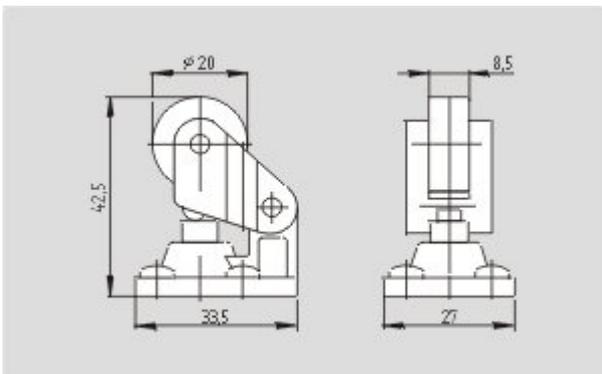
Dimensional drawing (basic component)

---



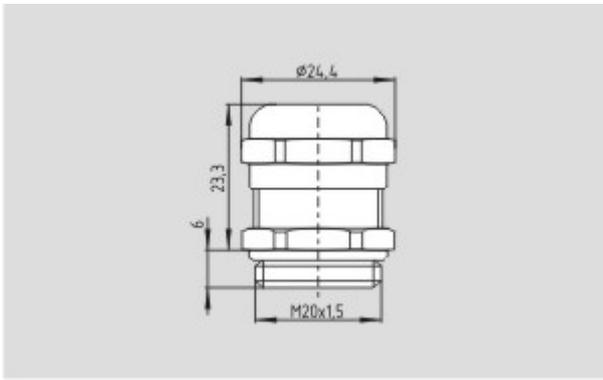
Dimensional drawing (basic component)

---



Dimensional drawing (actuator)

---



Dimensional drawing (miscellaneous)

---

K.A. Schmersal GmbH & Co. KG, Möddinghofe 30, D-42279 Wuppertal  
The data and values have been checked thoroughly. Technical modifications and errors excepted.  
Generiert am 13.02.2019 - 14:11:17h Kasbase 3.3.0.F.64I