

## Datasheet - RDLGB

Command and signalling devices / Push buttons and pilot lights - "R" Program / RDL - Illuminated pushbutton



(Minor differences between the printed image and the original product may exist!)

### Ordering details


Product type description	RDLGB
Article number	101188253
EAN Code	
eCl@ss	27-37-12-11



### Approval

Approval



### Global Properties

Permanent light	RDL - Illuminated pushbutton
Standards	IEC/EN 60947-1, EN 60947-5-1
Compliance with the Directives (Y/N) 	No
Suitable for safety functions (Y/N)	No
Mounting	mounting flange RLM
Materials	
- Material of the operators	Glass
- Material of the front ring	Aluminium
Design	Flush-mounted illuminated pushbutton - Front plate mounting
Form	Round
Color	

- Colour of the operating element	 yellow
- Colour of the front ring	 Silver
Weight	45
Can be illuminated (Y/N)	Yes
With membrane (Y/N)	No

## Mechanical data

---

Mechanical life	5.000.000 operations
Switching frequency	1200
Actuating force	1.5
Actuating stroke	4
resistance to shock	< 30
Latching (Y/N)	No
Unlocking type	without
Probing possible (Y/N)	Yes
mounting flange available (Y/N)	Yes
Front plate thickness	
- min. front plate thickness	1.5
- max. front plate thickness	6
Tightening torque for fixing screws	2

## Ambient conditions

---

Ambient temperature	
- Min. environmental temperature	-25
- Max. environmental temperature	+75
Storage and transport temperature	
- Min. Storage and transport temperature	-
- Max. Storage and transport temperature	-
Fully insulated (Y/N)	Yes
Sealing type	membrane, lip seal, Form seals
Protection class	IP65

## LED switching conditions display

---

With integrated LED (Y/N)	No
---------------------------	----

## Dimensions

---

Dimensions	
- Height	11.3
- Diameter total	39.5
Height of touch surface	0,8
Diameter of touch surface	28
Hole, diameter	22.3 + 0,4
Spacing	40 x 60

## Included in delivery

---

Mounting flange RLM (1188815) is included in delivery

## Documents

---

**Operating instructions and Declaration of conformity (it)** 2 MB, 14.06.2017

Code: mrl\_programme-e-n-r\_it

**Operating instructions and Declaration of conformity (en)** 1 MB, 06.11.2018

Code: mrl\_programme-e-n-r\_en

**Operating instructions and Declaration of conformity (pl)** 2 MB, 12.10.2017

Code: mrl\_programme-e-n-r\_pl

**Operating instructions and Declaration of conformity (jp)** 2 MB, 28.06.2017

Code: mrl\_programme-e-n-r\_jp

**Operating instructions and Declaration of conformity (pt)** 2 MB, 31.05.2017

Code: mrl\_programme-e-n-r\_pt

**Operating instructions and Declaration of conformity (de)** 1 MB, 06.11.2018

Code: mrl\_programme-e-n-r\_de

**Operating instructions and Declaration of conformity (es)** 1 MB, 05.12.2018

Code: mrl\_programme-e-n-r\_es

**Operating instructions and Declaration of conformity (nl)** 1 MB, 05.12.2018

Code: mrl\_programme-e-n-r\_nl

**Operating instructions and Declaration of conformity (fr)** 1 MB, 05.12.2018

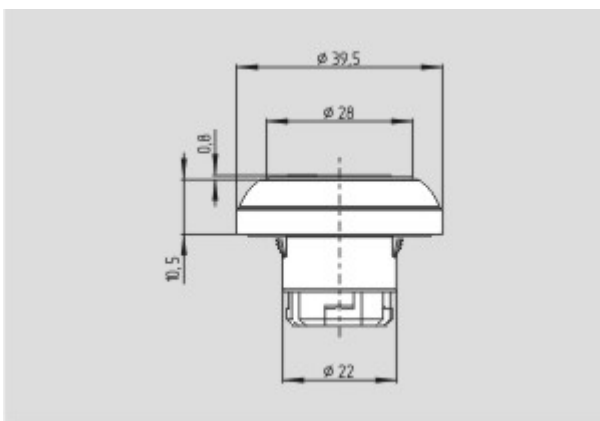
Code: mrl\_programme-e-n-r\_fr

**Operating instructions and Declaration of conformity (cn)** 2 MB, 21.06.2017

Code: mrl\_programme-e-n-r\_cn

## Images

---



Dimensional drawing (basic component)

---

## System components

---

### contact element

#### contact element RF

- Screw connection
- 1-2 (Contact labelling)

---

### Light terminal block



#### Light terminal block RLDE

- Screw connection
- Mounting flange position 3
- white LED
- 24



---

#### Light terminal block RL

- Print with incandescent lamp symbol

---

### spare part



#### mounting flange (R)



---

#### mounting flange (R)