

Datasheet - NDRR50RT

Command and signalling devices / Push buttons and pilot lights - "N" Program / NDR -
Emergency stop / Mushroom button



- Emergency stop latching pushbutton
- with latching

(Minor differences between the printed image and the original product may exist!)

Ordering details

Product type description	NDRR50RT
Article number	101163587
EAN Code	4250116200146
eCl@ss	27-37-12-12

Approval

Approval



Global Properties

Permanent light	NDR - Emergency stop latching pushbutton
Standards	IEC/EN 60947-1, EN 60947-5-1
Compliance with the Directives (Y/N)	Yes
Suitable for safety functions (Y/N)	Yes
Mounting	mounting flange EFM
Materials	
- Material of the operators	ABS
- Material of the front ring	ABS, Chromium-plated
- Material of the bellows	Silicone

Design	Emergency stop latching pushbutton - Front plate mounting
Form	Round
Color	
- Colour of the operating element	<input checked="" type="checkbox"/> red
- Colour of the bellows	<input type="checkbox"/> White
- Colour of the front ring	<input type="checkbox"/> Silver
Weight	50
Manner of using	
Can be illuminated (Y/N)	No
Emergency-Stop button (Y/N)	Yes

Mechanical data

Mechanical life	100.000 operations
restistance to shock	30 g / 18 ms
Latching (Y/N)	Yes
Unlocking type	Draw unlocking
Probing possible (Y/N)	No
mounting flange available (Y/N)	Yes
Snap mechanism integrated in device head (Y/N)	No
External snap mechanism (Y/N)	Yes
Front plate thickness	
- min. front plate thickness	1.5
- max. front plate thickness	6
Tightening torque for fixing screws	0,6

Ambient conditions

Ambient temperature	
- Min. environmental temperature	-25
- Max. environmental temperature	+80
Storage and transport temperature	
- Min. Storage and transport temperature	-
- Max. Storage and transport temperature	-
Fully insulated (Y/N)	Yes
Sealing type	membrane, lip seal
Protection type IP	IP67, IP69K

Dimensions

Dimensions	
- Height	45 mm
- diameters for the actuating heads	Ø 50
- Hole, diameter	22.3 + 0,4
Spacing	50 x 50

Documents

Operating instructions and Declaration of conformity (it) 2 MB, 14.06.2017

Code: mrl_programme-e-n-r_it

Operating instructions and Declaration of conformity (en) 1 MB, 06.11.2018

Code: mrl_programme-e-n-r_en

Operating instructions and Declaration of conformity (pl) 2 MB, 12.10.2017

Code: mrl_programme-e-n-r_pl

Operating instructions and Declaration of conformity (jp) 2 MB, 28.06.2017

Code: mrl_programme-e-n-r_jp

Operating instructions and Declaration of conformity (pt) 2 MB, 31.05.2017

Code: mrl_programme-e-n-r_pt

Operating instructions and Declaration of conformity (de) 1 MB, 06.11.2018

Code: mrl_programme-e-n-r_de

Operating instructions and Declaration of conformity (es) 1 MB, 05.12.2018

Code: mrl_programme-e-n-r_es

Operating instructions and Declaration of conformity (nl) 1 MB, 05.12.2018

Code: mrl_programme-e-n-r_nl

Operating instructions and Declaration of conformity (fr) 1 MB, 05.12.2018

Code: mrl_programme-e-n-r_fr

Operating instructions and Declaration of conformity (cn) 2 MB, 21.06.2017

Code: mrl_programme-e-n-r_cn

BG-test certificate (de, en, fr) 174 kB, 31.07.2014

Code: z_ndrp01

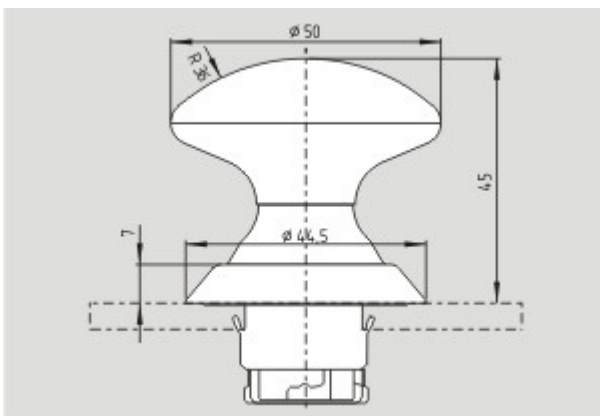
IPA Data (en) 248 kB, 09.11.2012

Code: i_jpap02

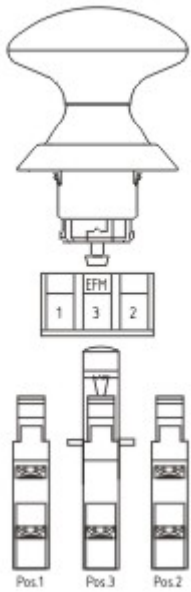
IPA Data (de) 255 kB, 05.09.2014

Code: i_jpap01

Images



Dimensional drawing (basic component)



Application

System components

Product



101020999 - EFR

- Spring element

Accessories



101014388 - EFM

contact element



101023938 - EF220.3

- Screw connection
- Mounting flange position 3
- 51-52; 61-62 (Contact labelling)
- Suitable for EMERGENCY-OFF



101024262 - EF220.2

- Screw connection
- Mounting flange position 2
- 31-32; 41-42 (Contact labelling)
- Suitable for EMERGENCY-OFF

101023927 - EF220.1



- Screw connection
- Mounting flange position 1
- 11-12; 21-22 (Contact labelling)
- Suitable for EMERGENCY-OFF



101022139 - EF303.3

- Screw connection
- Mounting flange position 3
- 51-52; 63-64 (Contact labelling)
- Suitable for EMERGENCY-OFF



101022138 - EF303.2

- Screw connection
- Mounting flange position 2
- 31-32; 43-44 (Contact labelling)
- Suitable for EMERGENCY-OFF



101022137 - EF303.1

- Screw connection
- Mounting flange position 1
- 11-12; 23-24 (Contact labelling)
- Suitable for EMERGENCY-OFF



101026059 - EFK30.3

- Cage clamps
- Mounting flange position 3
- 31-32 (Contact labelling)
- Suitable for EMERGENCY-OFF



101026058 - EFK30.2

- Cage clamps
- Mounting flange position 2
- 21-22 (Contact labelling)
- Suitable for EMERGENCY-OFF



101026057 - EFK30.1

- Cage clamps
- Mounting flange position 1
- 11-12 (Contact labelling)
- Suitable for EMERGENCY-OFF