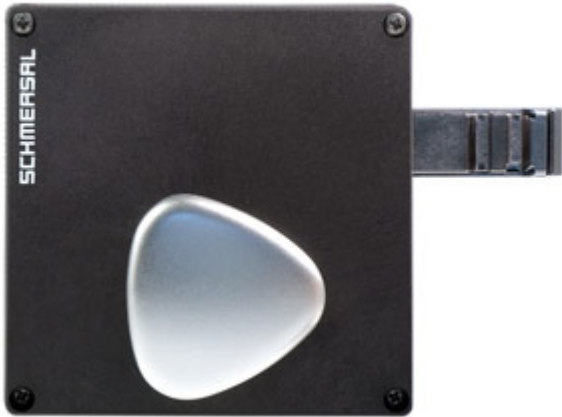


Datasheet - AZ/AZM 200-B30-LTAG2

Solenoid interlock / AZM 200 / Actuator / AZ/AZM 200-B30



(Minor differences between the printed image and the original product may exist!)

- Actuator for hinged guards
 - With door detection sensor T
 - Easy and intuitive operation
 - No risk of injury from protruding actuator
 - No supplementary door handles required
 - Does not protrude into the door opening
 - Various handles available
- Greater mechanical stability

Ordering details

Product type description	AZ/AZM 200-B30-LTAG2
Article number	101181137
EAN Code	4030661315058
eCl@ss	27-27-06-05

Approval

Approval



notice

Certification in combination with the AZ/AZM 200

Global Properties

Permanent light	AZ/AZM 200-B30
Materials	
- Material of the housings	Plastic, glass-fibre reinforced thermoplastic self-extinguishing
- Material of the actuator	zinc die-cast
- Material of the operators	Aluminium, plastic coating
Weight	610
Door detection sensor (Y/N)	Yes

Mechanical data

Mechanical life	≥ 1.000.000 operations
Emergency unlocking device (Y/N)	No
Grip	Rotating knob

Clamping force F	2000 N
Actuator mounted	outside
Door hinge	left

Dimensions

Dimensions of the actuators

- Width of the actuator	115
- Height of the actuator	115
- Length of the actuator	60

Included in delivery

The safety switch / solenoid interlock and the actuator unit must be ordered separately.

Keywords

Search keys	Lockout tag; SZ 200
-------------	---------------------

Ordering code

AZ/AZM 200-B30-(1)T(2)(3)(4)-(5)

(1)

L	Door hinge on left-hand side
R	Door hinge on right-hand side

(2)

A	for Mounting outside
I	for Mounting inside

(3)

G1	with handle
G2	with Rotating knob

(4)

P1	with Emergency exit
P20	with Emergency exit Metal film (<i>Only for Mounting outside possible</i>)
P25	with Emergency exit Inset handle (<i>Only for Mounting outside possible</i>)
P30/P31	with Locking rod (<i>Only for Mounting outside possible</i>)

(5)

without	without Lockout tag
SZ	with Lockout tag (<i>Only for Mounting outside possible</i>)

Documents

Operating instructions (nl) 1 MB, 24.09.2018

Code: mrl_az-azm201-b30_nl

Operating instructions (fr) 1 MB, 24.09.2018

Code: mrl_az-azm201-b30_fr

Operating instructions (it) 1 MB, 24.09.2018

Code: mrl_az-azm201-b30_it

Operating instructions (en) 975 kB, 24.09.2018

Code: mrl_az-azm201-b30_en

Operating instructions (es) 982 kB, 24.09.2018

Code: mrl_az-azm201-b30_es

Operating instructions (jp) 1 MB, 24.09.2018

Code: mrl_az-azm201-b30_jp

Operating instructions (pt) 1 MB, 24.09.2018

Code: mrl_az-azm201-b30_pt

Operating instructions (cn) 1 MB, 23.11.2018

Code: mrl_az-azm201-b30_cn

Operating instructions (de) 983 kB, 27.09.2018

Code: mrl_az-azm201-b30_de

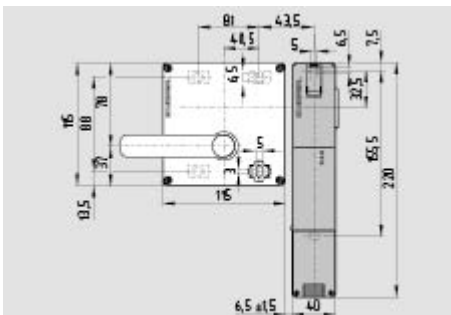
Operating instructions (pl) 1 MB, 24.09.2018

Code: mrl_az-azm201-b30_pl

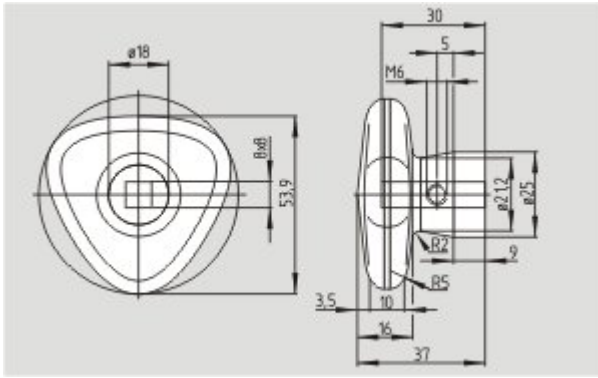
Images



Product photo



Dimensional drawing (basic component)



Dimensional drawing (miscellaneous)

System components

Product



AZ 200

- **NOTICE: Available until 2020.12.31 (substitute: AZ201)**
- Thermoplastic enclosure
- Spring pulley connection
- Max. length of the sensor chain 200 m
- Self-monitoring series-wiring of 31 sensors
- 3 LEDs to show operating conditions
- Sensor technology permits an offset between actuator and interlock of ± 5 mm vertically and ± 3 mm horizontally
- Intelligent diagnosis



AZM 200

- **NOTICE: Available until 2020.12.31 (substitute: AZM201)**
- Thermoplastic enclosure
- Guard locking monitored
- Electronic contact-free, coded system
- Max. length of the sensor chain 200 m
- Self-monitoring series-wiring of 31 sensors
- 3 LEDs to show operating conditions
- Sensor technology permits an offset between actuator and interlock of ± 5 mm vertically and ± 3 mm horizontally
- Intelligent diagnosis
- Manual release

K.A. Schmersal GmbH & Co. KG, Möddinghofe 30, D-42279 Wuppertal

The data and values have been checked thoroughly. Technical modifications and errors excepted.

Generiert am 13.02.2019 - 14:46:28h Kasbase 3.3.0.F.64I