

Datasheet - AZ 08 K

Positive-operation door contacts / AZ 08



- Single wire entry (1 cable per clamp)
- Thermoplastic enclosure
- Contact pin in actuator bridge
- 1 Actuating planes
- Protection class IP20
- Inseparable cover and enclosure
- Enclosure with mounting slots
- Self-cleaning through the frictional movement of the contact bridges

(Minor differences between the printed image and the original product may exist!)

Ordering details


Product type description	AZ 08 K
Article number	101183494
EAN Code	4030661332710
eCl@ss	27-27-26-02

Approval

Approval



Global Properties

Permanent light	AZ 08
Standards	EN 81
Compliance with the Directives (Y/N) 	Yes
suitable for elevators (Y/N)	Yes
Mounting	Enclosure with mounting slots
Materials	
- Material of the housings	Plastic,, glass-fibre reinforced thermoplastic self-extinguishing
- Material of the contacts	-Silver-plated rivets
Weight	27

Mechanical data

Design of electrical connection	Screw connection M3
Cable entry	Single wire entry with Connecting funnel
Cable section	
- Min. Cable section	0,75
- Max. Cable section	2.5
Mechanical life	> 1.000.000 operations

Actuating planes	1
notice	All indications about the cable section are including the conductor ferrules.
Actuating force	2
Actuating stroke	5
Positive break force	-
positive break travel	-

Ambient conditions

Ambient temperature	
- Min. environmental temperature	-30
- Max. environmental temperature	+80
Relative humidity	-
Fully insulated (Y/N)	No
Protection class	IP20 to IEC/EN 60529 / DIN VDE 0470-1

Electrical data

Design of control element	Opener (NC)
Switching principle	Self-cleaning pressure contact
Number of auxiliary contacts	0
Number of safety contacts	1
Rated impulse withstand voltage	-
Rated insulation voltage	500
Thermal test current	4 A
Utilisation category	AC-15: 230 V / 2 A, DC-13: 200 V / 2 A
Max. fuse rating	6 A gG D-fuse

ATEX

Explosion protection categories for gases	None
Explosion protected category for dusts	None

Dimensions

Dimensions	
- Width	73.5
- Height	27
- Depth	21.5

Included in delivery

Actuators must be ordered separately.

Documents

BG-test certificate (de) 1 MB, 28.08.2018

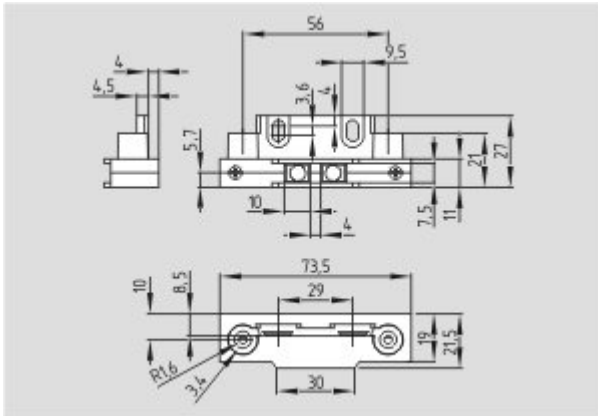
Code: z_az0p07

BG-test certificate (en) 1 MB, 28.08.2018

Code: z_az0p08

EAC certification (ru) 2 MB, 03.12.2018

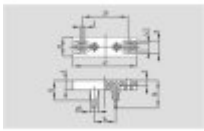
Images



Dimensional drawing (basic component)

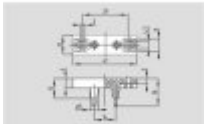
System components

Actuator



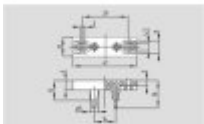
101088124 - AZ 07-14 B/23

- Contact pin in actuator bridge
- for AZ 06x, AZ 06, AZ 07, AZ 08, AZ 13, AZ 14-1, AZ 19
- with Washer



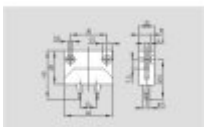
101088123 - AZ 07-14 B/21

- Contact pin in actuator bridge
- for AZ 06x, AZ 06, AZ 07, AZ 08, AZ 13, AZ 14-1, AZ 19
- with Washer



101093368 - AZ 07-14 B/18

- Contact pin in actuator bridge
- for AZ 06x, AZ 06, AZ 07, AZ 08, AZ 13, AZ 14-1, AZ 19
- with Washer



101057921 - AZ 06 B-1284

- Contact pin in actuator bridge
- for AZ 06x, AZ 06, AZ 07, AZ 08, AZ 13, AZ 14-1, AZ 19
- for Hook bar

101057930 - AZ 06-13 B/23

- Contact pin in actuator bridge
- for AZ 06x, AZ 06, AZ 07, AZ 08, AZ 13, AZ 14-1, AZ 19



101057929 - AZ 06-13 B/21



- Contact pin in actuator bridge
- for AZ 06x, AZ 06, AZ 07, AZ 08, AZ 13, AZ 14-1, AZ 19



101057928 - AZ 06-13 B/18

- Contact pin in actuator bridge
- for AZ 06x, AZ 06, AZ 07, AZ 08, AZ 13, AZ 14-1, AZ 19