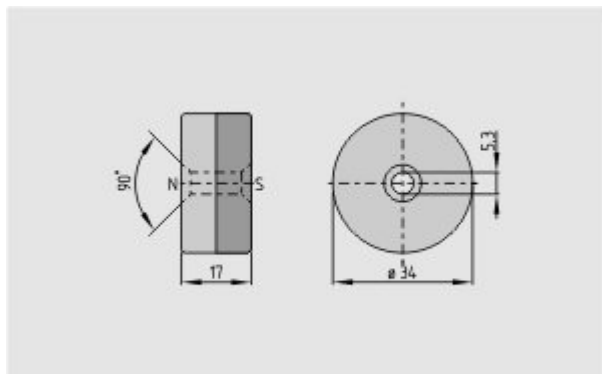


Datasheet - BP 34

Magnetic reed switch / Actuator



Preferred typ



(Minor differences between the printed image and the original product may exist!)

- thermoplastic enclosure
- S-pole marked red
- N-pole marked green
- Suitable for mounting on ferrous material with a distance of 25 mm

Ordering details

Product type description	BP 34
Article number	101057553
EAN Code	4030661027302
eCl@ss	27-27-92-17

Global Properties

Permanent light	Magnet
Weight	56
Special characteristics	thermoplastic enclosure

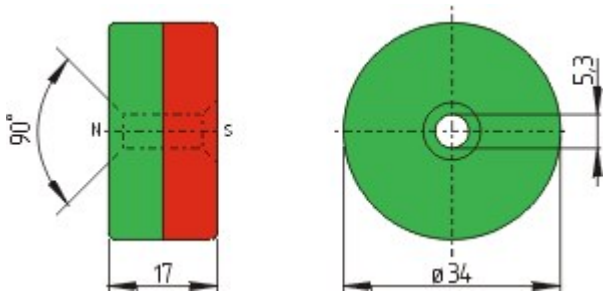
Dimensions

Dimensions of the actuators	
- Width of the actuator	17
- Diameter of the actuator	34

Images



Product photo



Dimensional drawing (miscellaneous)

K.A. Schmersal GmbH & Co. KG, Möddinghofe 30, D-42279 Wuppertal

The data and values have been checked thoroughly. Technical modifications and errors excepted.

Generiert am 13.02.2019 - 13:10:33h Kasbase 3.3.0.F.64I