

## Datasheet - TV8S 521-11/11Z

Safety switch for hinged guards / Hinge safety switch / TV8S 521



(Minor differences between the printed image and the original product may exist!)

- Metal enclosure
- Good resistance to oil and petroleum spirit
- Mounting independent of hinge
- 92 mm x 81,5 mm x 27 mm
- Variable mounting on hinged side
- Rail-mounting possible with slot nuts
- 2-channel, alternating monitoring
- Actuator shaft can be turned 360°
- For left or right hinged doors
- Push-in system (toothed shaft)
- 2 cable entries M 16 x 1.5
- 2 switches in one enclosure

### Ordering details

Product type description	TV8S 521-11/11Z
Article number	101138421
EAN Code	4030661281261
When ordering, first the desired safety switch should be selected and then the appropriate universal joint; for universal joint K1, additionally the corresponding F or L hinge	
eCl@ss	27-27-26-01

### Approval

Approval




### Classification

Standards	EN ISO 13849-1
B10d Normally-closed contact (NC)	20.000.000
Mission time	20 Years
notice	$MTTF_d = \frac{B_{10d}}{0,1 \times n_{op}}$ $n_{op} = \frac{d_{op} \times h_{op} \times 3600 \text{ s/h}}{t_{cycle}}$

### Global Properties

Permanent light	TV8S 521
Standards	EN 60947-5-1, BG-GS-ET-15

Compliance with the Directives (Y/N) 

Yes

#### Materials

- Material of the housings
- Material of the contacts

Aluminium

Silver

Housing coating

painted

Weight

274

### Mechanical data

---

Design of electrical connection

Screw connection

Cable entry M 16 x 1.5

2

Cable section

- Min. Cable section
- Max. Cable section

1 x 0,75 mm<sup>2</sup>

1 x 1.5 mm<sup>2</sup>

Mechanical life

> 1.000.000 operations

Switching frequency

max. 1000 /h

notice

All indications about the cable section are including the conductor ferrules.

notice

All indications about the cable section are including the conductor ferrules.

Shaft bore

Inner toothing 10 mm

Positive break angle

14 °

Positive break torque

8 Ncm

### Ambient conditions

---

Ambient temperature

- Min. environmental temperature
- Max. environmental temperature

-25 °C

+70 °C

Protection class

IP67

### Electrical data

---

Design of control element

Normally open contact (NO), Opener (NC)

Switching principle

Creep circuit element

Number of auxiliary contacts

1 ( S1), 2 ( S2)

Number of safety contacts

1 ( S1), 0 ( S2)

Rated impulse withstand voltage  $U_{imp}$

4 kV

Rated insulation voltage  $U_i$

250 V

Thermal test current  $I_{the}$

10 A

Utilisation category

AC-15: 230 V / 4 A,  
DC-13: 24 V / 1 A

Max. fuse rating

6 A gG D-fuse

### ATEX

---

Explosion protection categories for gases

None

Explosion protected category for dusts

None

### Dimensions

---

Dimensions of the sensor

- Width of sensor
- Height of sensor
- Length of sensor

92 mm

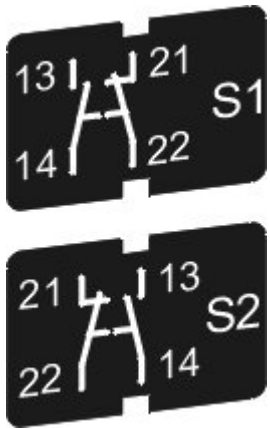
81.5 mm

27 mm

**notice**

Universal joint to compensate axial displacement  
 Switching point subsequently adjustable using hinge L

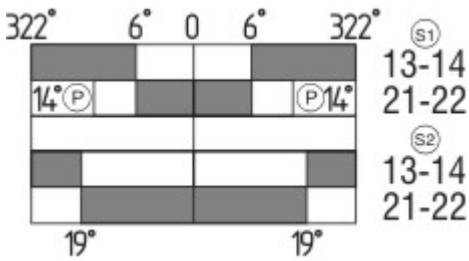
**Diagram**



Note Diagram

- positive break NC contact
- active
- no active
- Normally-open contact
- Normally-closed contact

**Switch travel diagram**



Notes Switch travel diagram

- Contact closed
- Contact open
- Setting range
- Break point
- Positive opening sequence/- angle
- VS** adjustable range of NO contact
- VÖ** adjustable range of NC contact
- N** after travel

**Ordering code**

TV8S 521-(1)

(1)

11/11

02/20

Switch insert 1: 1 Normally open contact (NO) / 1 Opener (NC)  
 Switch insert 2: 1 Normally open contact (NO) / 1 Opener (NC)

Switch insert 1: 2 Opener (NC)  
 Switch insert 2: 2 Normally open contact (NO)

## Documents

---

**Operating instructions and Declaration of conformity (nl)** 436 kB, 11.07.2018

Code: mrl\_tv8s521\_nl

**Operating instructions and Declaration of conformity (es)** 440 kB, 21.12.2017

Code: mrl\_tv8s521\_es

**Operating instructions and Declaration of conformity (da)** 397 kB, 18.06.2013

Code: mrl\_tv8s521\_da

**Operating instructions and Declaration of conformity (en)** 440 kB, 14.11.2017

Code: mrl\_tv8s521\_en

**Operating instructions and Declaration of conformity (de)** 411 kB, 14.11.2017

Code: mrl\_tv8s521\_de

**Operating instructions and Declaration of conformity (it)** 433 kB, 21.12.2017

Code: mrl\_tv8s521\_it

**Operating instructions and Declaration of conformity (pt)** 439 kB, 31.01.2018

Code: mrl\_tv8s521\_pt

**Operating instructions and Declaration of conformity (pl)** 471 kB, 09.05.2018

Code: mrl\_tv8s521\_pl

**Operating instructions and Declaration of conformity (jp)** 925 kB, 22.09.2011

Code: mrl\_tv8s521\_jp

**Operating instructions and Declaration of conformity (fr)** 442 kB, 16.01.2018

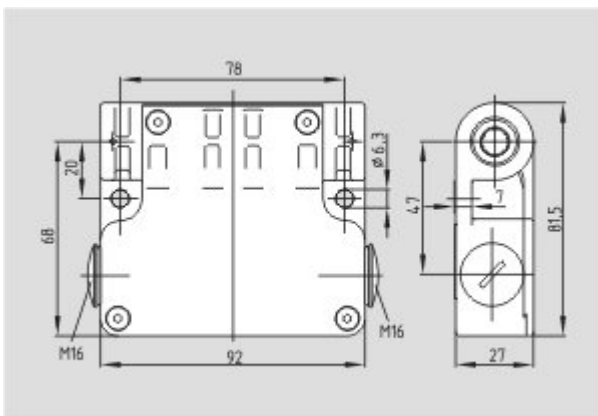
Code: mrl\_tv8s521\_fr

**EAC certification (ru)** 844 kB, 05.10.2015

Code: q\_6037p17\_ru

## Images

---



Dimensional drawing (basic component)

---



