

Datasheet - AZ 15/16-B1-1747

Safety switch with separate actuator / AZ 16 / Actuator AZ 16



(Minor differences between the printed image and the original product may exist!)

- For play-free interlocking of light guards
- Suitable for retrofitting

Ordering details

| | |
|--------------------------|------------------|
| Product type description | AZ 15/16-B1-1747 |
| Article number | 101092711 |
| EAN Code | 4030661104003 |
| eCl@ss | 27-27-92-16 |

Global Properties

| | |
|-----------------|---------------------------|
| Permanent light | Gerader Betätiger B1-1747 |
| Weight | 16 |

Mechanical data

| | |
|--------------------------|-----------------|
| Design of actuators | straight, rigid |
| Minimum actuating radius | 150 |

notice

Minimum actuating radius on hinged guards 150 mm

The axis of the hinge should be 5 mm above the top edge of the safety switch and in the same plane

Documents

Operating instructions and Declaration of conformity (fi) 101 kB, 02.07.2015

Code: mrl_az15-16-betaetiger_fi

Operating instructions and Declaration of conformity (es) 115 kB, 12.02.2014

Code: mrl_az15-16-betaetiger_es

Operating instructions and Declaration of conformity (it) 114 kB, 10.02.2014

Code: mrl_az15-16-betaetiger_it

Operating instructions and Declaration of conformity (de) 296 kB, 30.01.2014

Code: mrl_az15-16-betaetiger_de

Operating instructions and Declaration of conformity (cn) 137 kB, 30.06.2015

Code: mrl_az15-16-betaetiger_cn

Operating instructions and Declaration of conformity (nl) 114 kB, 11.03.2014

Code: mrl_az15-16-betaetiger_nl

Operating instructions and Declaration of conformity (pt) 115 kB, 23.05.2014

Code: mrl_az15-16-betaetiger_pt

Operating instructions and Declaration of conformity (jp) 165 kB, 11.08.2014

Code: mrl_az15-16-betaetiger_jp

Operating instructions and Declaration of conformity (en) 114 kB, 24.02.2014

Code: mrl_az15-16-betaetiger_en

Operating instructions and Declaration of conformity (pl) 155 kB, 11.03.2014

Code: mrl_az15-16-betaetiger_pl

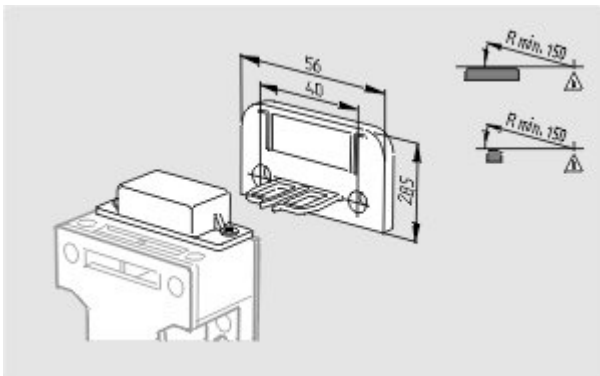
Operating instructions and Declaration of conformity (fr) 114 kB, 14.04.2014

Code: mrl_az15-16-betaetiger_fr

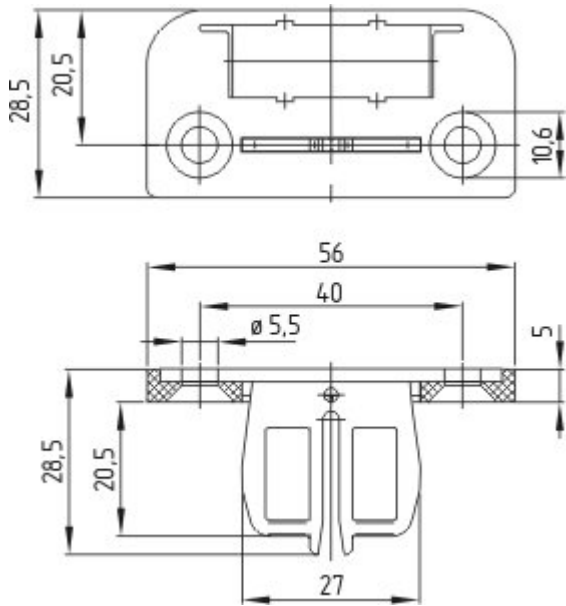
Operating instructions and Declaration of conformity (sv) 113 kB, 17.06.2015

Code: mrl_az15-16-betaetiger_sv

Images



Dimensional drawing (actuator)



Dimensional drawing (miscellaneous)

K.A. Schmersal GmbH & Co. KG, Möddinghofe 30, D-42279 Wuppertal

The data and values have been checked thoroughly. Technical modifications and errors excepted.

Generiert am 13.02.2019 - 14:35:28h Kasbase 3.3.0.F.64I