

Datasheet - RST16-1

Safety sensors / RSS16 / Actuator



- Frontal actuation from assembly direction
- Flat design
- Mounting 2 x M5

(Minor differences between the printed image and the original product may exist!)

Ordering details

| | |
|--------------------------|---|
| Product type description | RST16-1 |
| Article number | 103004336 |
| EAN Code | |
| notice | Sensor and actuator must be ordered separately. |
| eCl@ss | 27-27-92-17 |

Approval

Approval



Global Properties

| | |
|----------------------------|--------------------------------------|
| Permanent light | Betätiger |
| Materials | |
| - Material of the actuator | Plastic |
| Weight | 10 |
| Recommended combinations | RSS 36, RSS 36 AS, RSS260, RSS260 AS |

Mechanical data

| | |
|----------------------------|-------|
| Active area | front |
| with latching magnet (Y/N) | No |

Dimensions

| | |
|-----------------------------|-----|
| Dimensions of the actuators | |
| - Width of the actuator | 60 |
| - Height of the actuator | 6.8 |
| - Length of the actuator | 16 |

Documents

Mounting and wiring instructions (jp) 236 kB, 12.05.2017

Code: mrl_rst16-1-rss36_jp

Mounting and wiring instructions (es) 194 kB, 21.11.2016

Code: mrl_rst16-1-rss36_es

Mounting and wiring instructions (pt) 194 kB, 27.04.2017

Code: mrl_rst16-1-rss36_pt

Mounting and wiring instructions (nl) 190 kB, 13.12.2016

Code: mrl_rst16-1-rss36_nl

Mounting and wiring instructions (en) 200 kB, 27.10.2016

Code: mrl_rst16-1-rss36_en

Mounting and wiring instructions (cn) 296 kB, 23.11.2018

Code: mrl_rst16-1-rss36_cn

Mounting and wiring instructions (pl) 216 kB, 24.01.2017

Code: mrl_rst16-1-rss36_pl

Mounting and wiring instructions (it) 194 kB, 21.11.2016

Code: mrl_rst16-1-rss36_it

Mounting and wiring instructions (fr) 192 kB, 18.11.2016

Code: mrl_rst16-1-rss36_fr

Mounting and wiring instructions (da) 156 kB, 01.12.2015

Code: mrl_rst16-1-rss36_da

Mounting and wiring instructions (de) 206 kB, 27.10.2016

Code: mrl_rst16-1-rss36_de

Mounting and wiring instructions (sv) 208 kB, 18.01.2018

Code: mrl_rst16-1-rss36_sv

Mounting and wiring instructions (sv) 180 kB, 07.08.2015

Code: mrl_rst16-1_sv

Mounting and wiring instructions (cs) 216 kB, 09.10.2017

Code: mrl_rst16-1_cs

Mounting and wiring instructions (es) 344 kB, 08.07.2015

Code: mrl_rst16-1_es

Mounting and wiring instructions (fr) 179 kB, 01.09.2015

Code: mrl_rst16-1_fr

Mounting and wiring instructions (pl) 216 kB, 28.07.2015

Code: mrl_rst16-1_pl

Mounting and wiring instructions (it) 178 kB, 28.07.2015

Code: mrl_rst16-1_it

Mounting and wiring instructions (en) 373 kB, 03.07.2015

Code: mrl_rst16-1_en

Mounting and wiring instructions (jp) 243 kB, 30.06.2014

Code: mrl_rst16-1_jp

Mounting and wiring instructions (de) 375 kB, 03.07.2015

Code: mrl_rst16-1_de

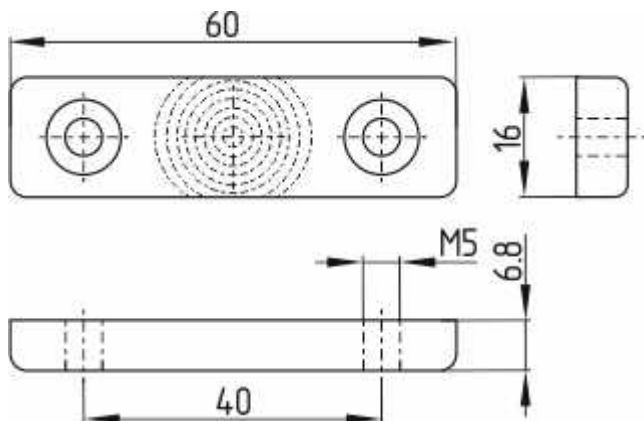
Mounting and wiring instructions (pt) 180 kB, 09.05.2017

Code: mrl_rst16-1_pt

Mounting and wiring instructions (nl) 185 kB, 20.07.2018

Code: mrl_rst16-1_nl

Images



Dimensional drawing (basic component)

K.A. Schmersal GmbH & Co. KG, Möddinghofe 30, D-42279 Wuppertal

The data and values have been checked thoroughly. Technical modifications and errors excepted.

Generiert am 13.02.2019 - 14:30:11h Kasbase 3.3.0.F.64I