

Datasheet - AZ/AZM 415-B1

Safety switch with separate actuator / AZ 415 / Actuator AZ 415



Preferred typ



- For sliding doors
- Actuators with return spring
- Tolerates up to max. 6 mm overtravel

(Minor differences between the printed image and the original product may exist!)

Ordering details

Product type description	AZ/AZM 415-B1
Article number	101128545
EAN Code	4030661104478
eCl@ss	27-27-92-16

Global Properties

Permanent light	Gerader Betätiger AZ/AZM 415-B1
Weight	135

Mechanical data

Design of actuators	straight
---------------------	----------

Documents

Operating instructions and Declaration of conformity (nl) 143 kB, 01.08.2018

Code: mrl_az-azm415-b_nl

Operating instructions and Declaration of conformity (ro) 315 kB, 25.01.2012

Code: mrl_az-azm415-b_ro

Operating instructions and Declaration of conformity (fr) 127 kB, 05.06.2018

Code: mrl_az-azm415-b_fr

Operating instructions and Declaration of conformity (es) 148 kB, 05.06.2018

Code: mrl_az-azm415-b_es

Operating instructions and Declaration of conformity (pt) 146 kB, 13.08.2018

Code: mrl_az-azm415-b_pt

Operating instructions and Declaration of conformity (pl) 155 kB, 06.09.2018

Code: mrl_az-azm415-b_pl

Operating instructions and Declaration of conformity (jp) 415 kB, 17.02.2012

Code: mrl_az-azm415-b_jp

Operating instructions and Declaration of conformity (de) 134 kB, 22.05.2018

Code: mrl_az-azm415-b_de

Operating instructions and Declaration of conformity (da) 316 kB, 06.01.2012

Code: mrl_az-azm415-b_da

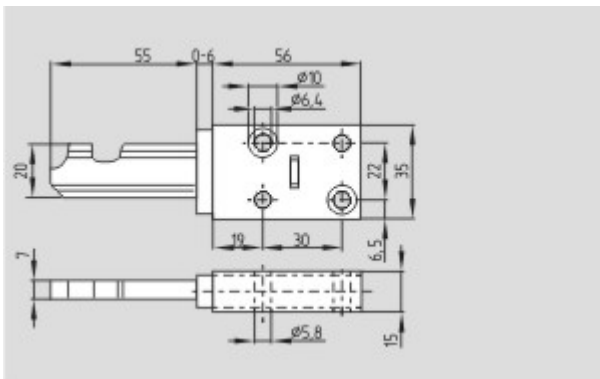
Operating instructions and Declaration of conformity (it) 314 kB, 28.02.2012

Code: mrl_az-azm415-b_it

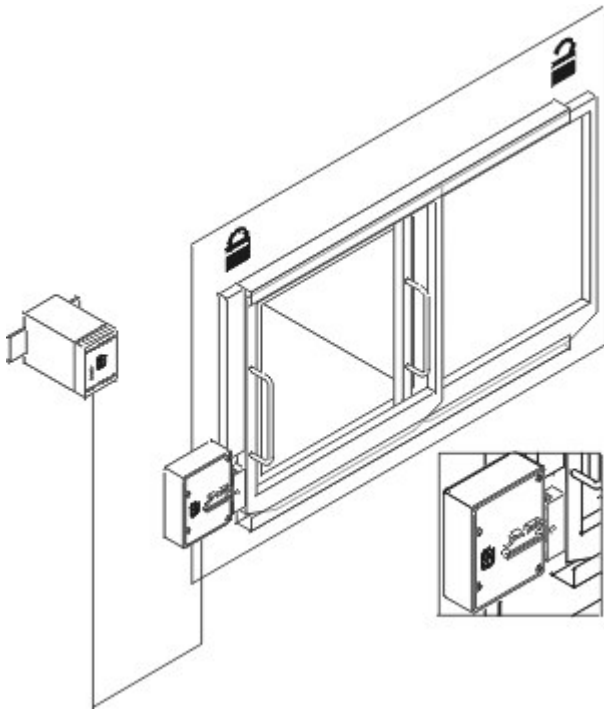
Operating instructions and Declaration of conformity (en) 151 kB, 22.05.2018

Code: mrl_az-azm415-b_en

Images



Dimensional drawing (miscellaneous)



Application

K.A. Schmersal GmbH & Co. KG, Mödinghofe 30, D-42279 Wuppertal
The data and values have been checked thoroughly. Technical modifications and errors excepted.
Generiert am 13.02.2019 - 14:39:05h Kasbase 3.3.0.F.64I