

Datasheet - AZ 15/16-B3-1747 WITH MAGNETIC LATCH**SCHMERSAL**

Safety switch with separate actuator / AZ 15 / Actuator AZ 15

 Preferred typ

For very small actuating radii at 90° to the plane of the actuator

Suitable for retrofitting

For play-free interlocking of light guards

The magnetic latch can be easily fitted in any actuating plane

(Minor differences between the printed image and the original product may exist!)

Ordering details

Product type description	AZ 15/16-B3-1747 MIT HAFTMAGNET
Article number	101096090
EAN Code	4030661100005
eCl@ss	27-27-92-16

Global Properties

Permanent light	Beweglicher Betätiger mit Haftmagnet AZ 15/16-B3-1747
Weight	43

Mechanical data

Design of actuators	angled, flexible
Latching force	30
Minimum actuating radius	32

notice

Actuating radius adjustable, minimum 32 mm, using an hexagonal key wrench 2,5 mm (b) A/F

The axis of the hinge should be 11 mm above the top edge of the safety switch and in the same plane

Documents

Operating instructions and Declaration of conformity (fi) 101 kB, 02.07.2015

Code: mrl_az15-16-betaetiger_fi

Operating instructions and Declaration of conformity (es) 115 kB, 12.02.2014

Code: mrl_az15-16-betaetiger_es

Operating instructions and Declaration of conformity (it) 114 kB, 10.02.2014

Code: mrl_az15-16-betaetiger_it

Operating instructions and Declaration of conformity (de) 296 kB, 30.01.2014

Code: mrl_az15-16-betaetiger_de

Operating instructions and Declaration of conformity (cn) 137 kB, 30.06.2015

Code: mrl_az15-16-betaetiger_cn

Operating instructions and Declaration of conformity (nl) 114 kB, 11.03.2014

Code: mrl_az15-16-betaetiger_nl

Operating instructions and Declaration of conformity (pt) 115 kB, 23.05.2014

Code: mrl_az15-16-betaetiger_pt

Operating instructions and Declaration of conformity (jp) 165 kB, 11.08.2014

Code: mrl_az15-16-betaetiger_jp

Operating instructions and Declaration of conformity (en) 114 kB, 24.02.2014

Code: mrl_az15-16-betaetiger_en

Operating instructions and Declaration of conformity (pl) 155 kB, 11.03.2014

Code: mrl_az15-16-betaetiger_pl

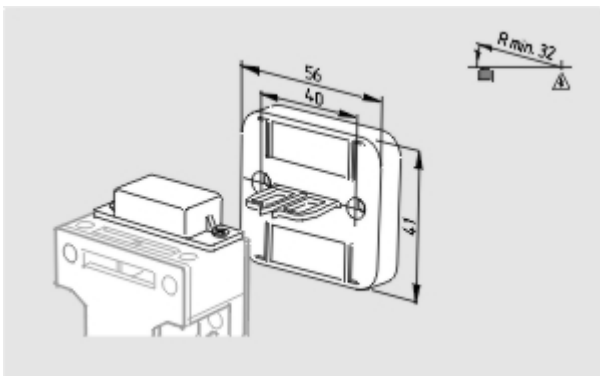
Operating instructions and Declaration of conformity (fr) 114 kB, 14.04.2014

Code: mrl_az15-16-betaetiger_fr

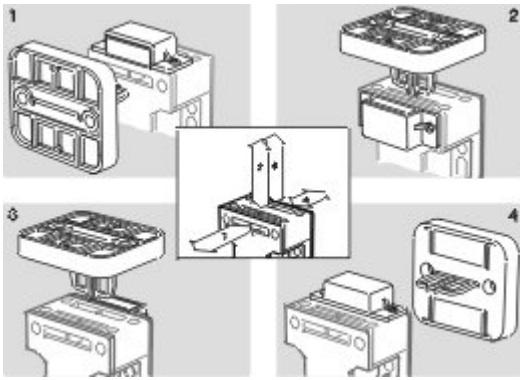
Operating instructions and Declaration of conformity (sv) 113 kB, 17.06.2015

Code: mrl_az15-16-betaetiger_sv

Images



Dimensional drawing (actuator)



Operating principle

K.A. Schmersal GmbH & Co. KG, Möddinghofe 30, D-42279 Wuppertal

The data and values have been checked thoroughly. Technical modifications and errors excepted.

Generiert am 13.02.2019 - 14:35:13h Kasbase 3.3.0.F.64I