

Datasheet - RST260-1

Safety sensors / RSS260 / Actuator



- Actuation from side
- Simple mounting
- Mounting 2 x M4

(Minor differences between the printed image and the original product may exist!)

Ordering details

Product type description	RST260-1
Article number	103004318
EAN Code	
notice	Sensor and actuator must be ordered separately.
eCl@ss	27-27-92-17

Approval

Approval



Global Properties

Permanent light	Betätiger
Materials	
- Material of the actuator	Plastic
Weight	20

Mechanical data

Active area	lateral
with latching magnet (Y/N)	-

Dimensions

Dimensions of the actuators

- Width of the actuator	39 mm
- Height of the actuator	18
- Length of the actuator	29.5

Documents

Operating instructions and Declaration of conformity (en) 638 kB, 10.04.2018

Code: mrl_rss260-lst_en

Operating instructions and Declaration of conformity (pt) 644 kB, 04.05.2018

Code: mrl_rss260-lst_pt

Operating instructions and Declaration of conformity (jp) 714 kB, 25.07.2017

Code: mrl_rss260-lst_jp

Operating instructions and Declaration of conformity (de) 595 kB, 10.04.2018

Code: mrl_rss260-lst_de

Operating instructions and Declaration of conformity (es) 640 kB, 09.05.2018

Code: mrl_rss260-lst_es

Operating instructions and Declaration of conformity (it) 638 kB, 18.01.2018

Code: mrl_rss260-lst_it

Operating instructions and Declaration of conformity (nl) 639 kB, 14.08.2018

Code: mrl_rss260-lst_nl

Operating instructions and Declaration of conformity (pl) 658 kB, 14.08.2018

Code: mrl_rss260-lst_pl

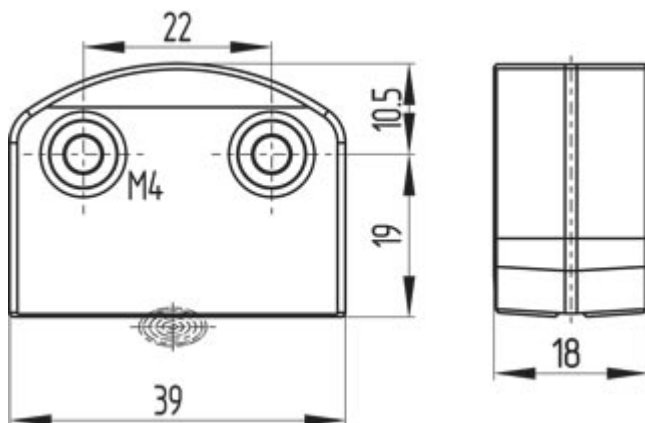
Operating instructions and Declaration of conformity (cn) 865 kB, 23.11.2018

Code: mrl_rss260-lst_cn

Operating instructions and Declaration of conformity (fr) 640 kB, 04.05.2018

Code: mrl_rss260-lst_fr

Images



Dimensional drawing (actuator)

K.A. Schmersal GmbH & Co. KG, Möddinghofe 30, D-42279 Wuppertal

The data and values have been checked thoroughly. Technical modifications and errors excepted.

Generiert am 13.02.2019 - 14:30:26h Kasbase 3.3.0.F.64I