

## Datasheet - TV8S 335-02Z

Safety switch for hinged guards / Hinge safety switch / TV.S 335



Preferred typ



- Metal enclosure
- Good resistance to oil and petroleum spirit
- Actuator heads can be repositioned by 4 x 90°
- 40,5 mm x 107 mm x 65,3 mm
- Actuator shaft can be turned 360°
- 1 Cable entry M 20 x 1.5

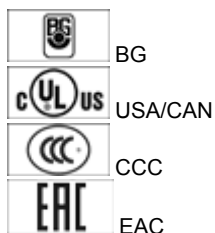
(Minor differences between the printed image and the original product may exist!)

### Ordering details

Product type description	TV8S 335-02Z
Article number	101168631
EAN Code	4030661223902
eCl@ss	27-27-26-01

### Approval

Approval



### Classification

Standards	EN ISO 13849-1
B10d Normally-closed contact (NC)	20.000.000
Mission time	20 Years

notice

$$MTTF_d = \frac{B_{rod}}{0,1 \times n_{op}}$$
$$n_{op} = \frac{d_{op} \times h_{op} \times 3600 \text{ s/h}}{t_{cycle}}$$

## Global Properties

---

Permanent light	TV.S 335
Standards	EN 60947-5-1, BG-GS-ET-15
Compliance with the Directives (Y/N) 	Yes
Materials	
- Material of the housings	Aluminium
- Material of the contacts	Silver
Housing coating	painted
Weight	265

## Mechanical data

---

Design of electrical connection	Screw connection
Cable entry M 20 x 1.5	1
Cable section	
- Min. Cable section	0,75
- Max. Cable section	2.5
Mechanical life	> 1.000.000 operations
Switching frequency	max. 1000 /h
notice	All indications about the cable section are including the conductor ferrules.
Design of actuating element	Other
Shaft bore	Ø 8
Positive break angle	7 °
Positive break torque	60 Ncm

## Ambient conditions

---

Ambient temperature	
- Min. environmental temperature	-25 °C
- Max. environmental temperature	+70 °C
Protection class	IP67

## Electrical data

---

Design of control element	Opener (NC)
Switching principle	Creep circuit element
Number of auxiliary contacts	0
Number of safety contacts	2
Rated impulse withstand voltage $U_{imp}$	6 kV
Rated insulation voltage $U_i$	500 V
Thermal test current $I_{the}$	10 A
Utilisation category	AC-15: 230 V / 4 A, DC-13: 24 V / 4 A
Max. fuse rating	6 A gG D-fuse

## ATEX

---

Explosion protection categories for gases	None
Explosion protected category for dusts	None

## Dimensions

### Dimensions of the sensor

- Width of sensor	40.5 mm
- Height of sensor	107 mm
- Length of sensor	65.3 mm

## notice

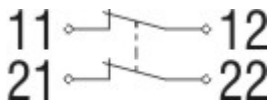
### Setting assistance

Grub screw for location, shaft pre-drilled for pin

Universal joint available to compensate for axial displacement (only for shaft bore 10 mm)

By turning the head in 90° steps, 8 actuating planes are possible. A Torx T10 screwdriver is needed for this purpose. Even when the screw is removed, the head is self-retaining. The switch can still not be tampered.

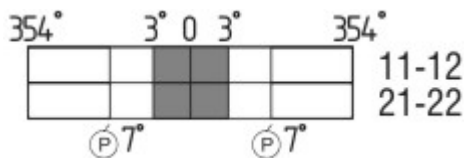
## Diagram



### Note Diagram

- positive break NC contact
- active
- no active
- Normally-open contact
- Normally-closed contact

## Switch travel diagram



### Notes Switch travel diagram

- Contact closed
- Contact open
- Setting range
- Break point
- Positive opening sequence/- angle
- VS** adjustable range of NO contact
- VÖ** adjustable range of NC contact
- N** after travel

## Ordering suffix

The applicable ordering suffix is added at the end of the part number of the safety switch.

Order example: TV8S 335-02Z-NPT

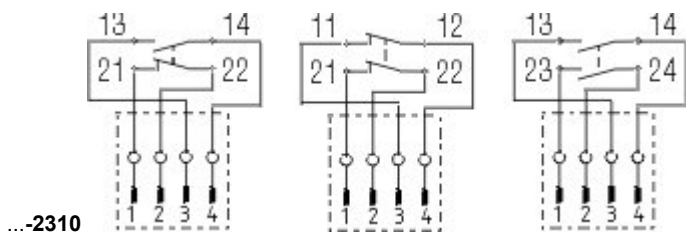
...-NPT

Cable entry NPT 1/2"



...-ST

M12 connector with A-coding  
 Rated impulse withstand voltage  $U_{imp}$ : 0,8 kV  
 Rated insulation voltage  $U_i$ : 50 V  
 Operating current  $I_e$ : AC-15: 50 V / 4 A  
 Caution! The versions with connector may only be used in PELV circuits to EN 60204-1.



...-2310

M12 connector with B-coding  
 Rated impulse withstand voltage  $U_{imp}$ : 0,8 kV  
 Rated insulation voltage  $U_i$ : 50 V  
 Operating current  $I_e$ : AC-15: 50 V / 4 A  
 Caution! The versions with connector may only be used in PELV circuits to EN 60204-1.

## Ordering code

TV(1)S 335-(2)Z-(3)

(1)

8 Shaft bore  $\varnothing$  8 mm  
 10 Shaft bore  $\varnothing$  10 mm

(2)

02 2 Opener (NC)  
 03 3 Opener (NC)  
 11 1 Normally open contact (NO) / 1 Opener (NC)  
 12 1 Normally open contact (NO) / 2 Opener (NC)

(3)

without Cable entry M20  
 NPT cable entry NPT 1/2"  
 ST M12 connector with A-coding (*Caution! The versions with connector may only be used in PELV circuits to EN 60204-1.*)  
 ST-2310 M12 connector with B-coding (*Caution! The versions with connector may only be used in PELV circuits to EN 60204-1.*)  
 G24 with LED (*only available for version with one NO and one NC contact.*)

## Documents

Operating instructions and Declaration of conformity (de) 285 kB, 29.03.2017

Code: mrl\_tvs335-355\_de

Operating instructions and Declaration of conformity (fr) 285 kB, 11.05.2017

Code: mrl\_tvs335-355\_fr

Operating instructions and Declaration of conformity (es) 281 kB, 03.05.2017

Code: mrl\_tvs335-355\_es

Operating instructions and Declaration of conformity (jp) 420 kB, 29.11.2017

Code: mrl\_tvs335-355\_jp

Operating instructions and Declaration of conformity (nl) 312 kB, 05.07.2018

Code: mrl\_tvs335-355\_nl

Operating instructions and Declaration of conformity (it) 281 kB, 26.06.2017

Code: mrl\_tvs335-355\_it

**Operating instructions and Declaration of conformity (en)** 281 kB, 29.03.2017

Code: mrl\_tvs335-355\_en

**Operating instructions and Declaration of conformity (da)** 263 kB, 18.06.2013

Code: mrl\_tvs335-355\_da

**Operating instructions and Declaration of conformity (pt)** 283 kB, 10.05.2017

Code: mrl\_tvs335-355\_pt

**Operating instructions and Declaration of conformity (pl)** 313 kB, 17.07.2017

Code: mrl\_tvs335-355\_pl

**BG-test certificate (en)** 166 kB, 09.12.2015

Code: z\_tvsp02

**BG-test certificate (de)** 160 kB, 09.12.2015

Code: z\_tvsp01

**CCC certification (en)** 577 kB, 12.12.2006

Code: q\_349p02

**CCC certification (cn)** 609 kB, 12.12.2006

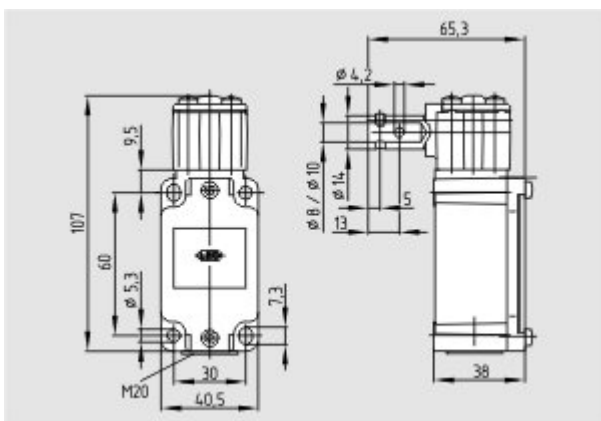
Code: q\_349p03

**EAC certification (ru)** 844 kB, 05.10.2015

Code: q\_6037p17\_ru

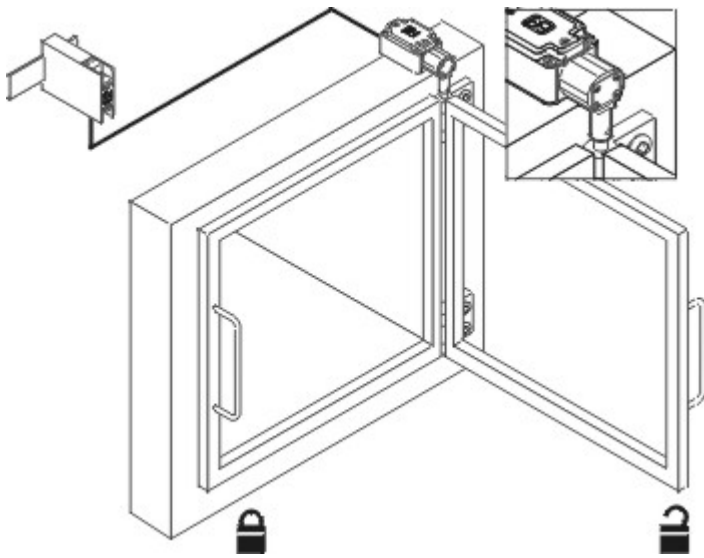
## Images

---



Dimensional drawing (basic component)

---



Application

---

K.A. Schmersal GmbH & Co. KG, Möddinghofe 30, D-42279 Wuppertal

The data and values have been checked thoroughly. Technical modifications and errors excepted.

Generiert am 13.02.2019 - 14:34:11h Kasbase 3.3.0.F.64I