

Datasheet - SEPK 02.0.L.22

Two-hand control panels / SEPK 02.0 / Empty enclosure



Preferred typ



- Thermoplastic enclosure
- without mountings with 3 mounting holes
- without mountings with 3 mounting holes \varnothing 22.3 mm
- 2 part enclosure
- Stand and wall mounting possible

(Minor differences between the printed image and the original product may exist!)

Ordering details

Product type description	SEPK 02.0.L.22
Article number	101027369
EAN Code	4250116202836
eCl@ss	27-37-12-19

Global Properties

Permanent light	SEPK - Leergehäuse
Materials	
- Material of the housings	Plastic
Housing coating	No
Weight	1662

Dimensions

Dimensions	
- Width	469 mm
- Height	185 mm
- Depth	140 mm

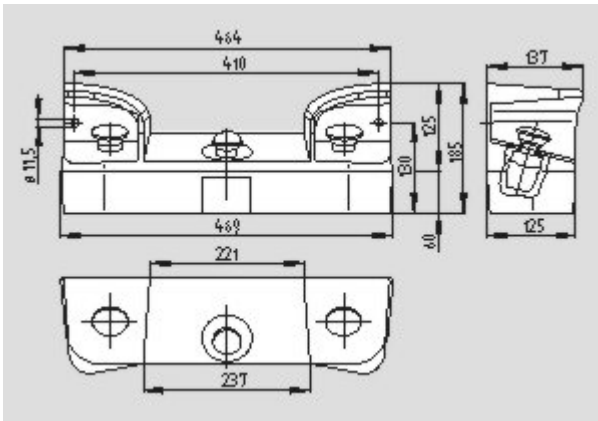
notice

8 knockouts for additional operating devices \varnothing 22,3 mm

Keywords

Empty enclosure, Two-hand control panels

Images



Dimensional drawing (basic component)

K.A. Schmersal GmbH & Co. KG, Möddinghofe 30, D-42279 Wuppertal

The data and values have been checked thoroughly. Technical modifications and errors excepted.

Generiert am 13.02.2019 - 14:54:10h Kasbase 3.3.0.F.64I