

## Datasheet - SLOT SEALING PLUGS AZM 161

Solenoid interlock / AZM 161 / Accessories



- To cover unused actuator slots
- For protection against the ingress of coarse dirt
- Simple clip-in fitting



(Minor differences between the printed image and the original product may exist!)

### Ordering details

Product type description	SCHLITZVERSCHLUSS AZM 161
Article number	101145379
EAN Code	4030661284125
eCl@ss	27-27-92-91

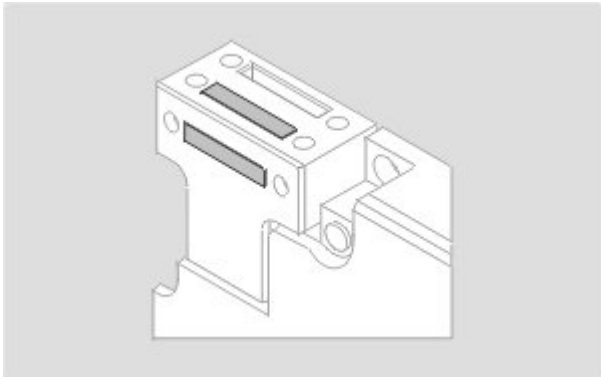
### Global Properties

Permanent light	Schlitzverschluss
Weight	3

### notice

Quantity required	3 piece
-------------------	---------

### Images



Detail photo

---

K.A. Schmersal GmbH & Co. KG, Möddinghofe 30, D-42279 Wuppertal

The data and values have been checked thoroughly. Technical modifications and errors excepted.

Generiert am 13.02.2019 - 14:41:54h Kasbase 3.3.0.F.64l