

Datasheet - MP BDF 200

Solenoid interlock / AZM201 / Accessories /



(Minor differences between the printed image and the original product may exist!)

Ordering details

Product type description	MP BDF 200
Article number	101214126
EAN Code	4030661399126
eCl@ss	27-27-92-91

Global Properties

Product name	Montageplatte
Weight	1230 g
Recommended combinations	(1) AZM 200 / AZM 201 + BDF200 (2) AZ/AZM200-B30-G1/G2 AZ/AZM201-B30-G1/G2

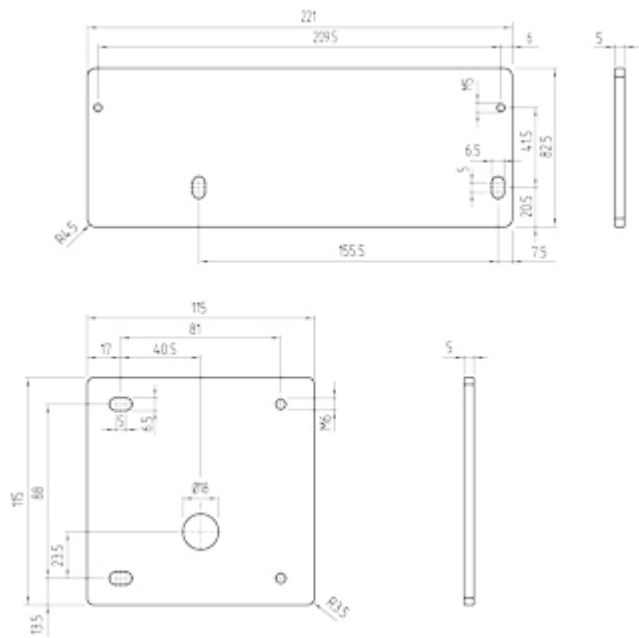
Dimensions

Dimensions	
- Width	221 mm / 115 mm
- Height	82.5 mm / 115 mm
- Depth	5 mm / 5 mm

Included in delivery

Included in delivery	2 , 2
----------------------	-------

Images



Dimensional drawing (miscellaneous)

K.A. Schmersal GmbH & Co. KG, Möddinghofe 30, D-42279 Wuppertal

The data and values have been checked thoroughly. Technical modifications and errors excepted.

Generiert am 13.02.2019 - 14:50:02h Kasbase 3.3.0.F.64I