

## Datasheet - AZ/AZM 415-B1

Solenoid interlock / AZM 415 / Actuator



Preferred typ



- For sliding doors
- Actuators with return spring
- Tolerates up to max. 6 mm overtravel

(Minor differences between the printed image and the original product may exist!)

### Ordering details

Product type description	AZ/AZM 415-B1
Article number	101128545
EAN Code	4030661104478
eCl@ss	27-27-92-16

### Global Properties

Permanent light	Gerader Betätiger AZ/AZM 415-B1
Weight	135

### Mechanical data

Design of actuators	straight
---------------------	----------

### Documents

**Operating instructions and Declaration of conformity (nl)** 143 kB, 01.08.2018

Code: mrl\_az-azm415-b\_nl

**Operating instructions and Declaration of conformity (ro)** 315 kB, 25.01.2012

Code: mrl\_az-azm415-b\_ro

**Operating instructions and Declaration of conformity (fr)** 127 kB, 05.06.2018

Code: mrl\_az-azm415-b\_fr

**Operating instructions and Declaration of conformity (es)** 148 kB, 05.06.2018

Code: mrl\_az-azm415-b\_es

**Operating instructions and Declaration of conformity (pt)** 146 kB, 13.08.2018

Code: mrl\_az-azm415-b\_pt

**Operating instructions and Declaration of conformity (pl)** 155 kB, 06.09.2018

Code: mrl\_az-azm415-b\_pl

**Operating instructions and Declaration of conformity (jp)** 415 kB, 17.02.2012

Code: mrl\_az-azm415-b\_jp

**Operating instructions and Declaration of conformity (de)** 134 kB, 22.05.2018

Code: mrl\_az-azm415-b\_de

**Operating instructions and Declaration of conformity (da)** 316 kB, 06.01.2012

Code: mrl\_az-azm415-b\_da

**Operating instructions and Declaration of conformity (it)** 314 kB, 28.02.2012

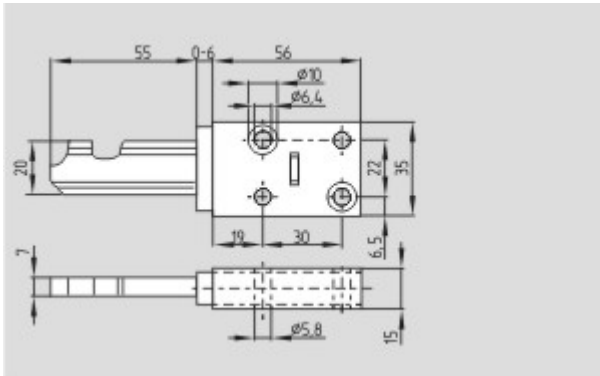
Code: mrl\_az-azm415-b\_it

**Operating instructions and Declaration of conformity (en)** 151 kB, 22.05.2018

Code: mrl\_az-azm415-b\_en

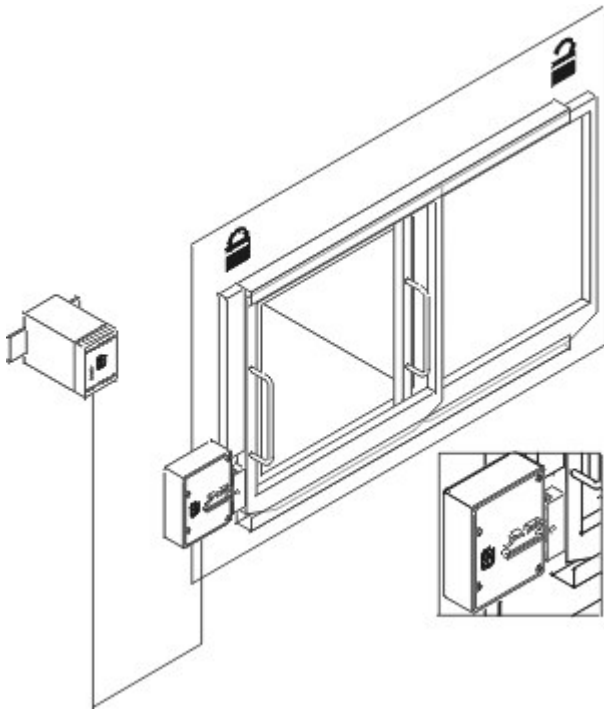
## Images

---



Dimensional drawing (miscellaneous)

---



Application

---

K.A. Schmersal GmbH & Co. KG, Mödinghofe 30, D-42279 Wuppertal  
The data and values have been checked thoroughly. Technical modifications and errors excepted.  
Generiert am 13.02.2019 - 14:47:58h Kasbase 3.3.0.F.64I