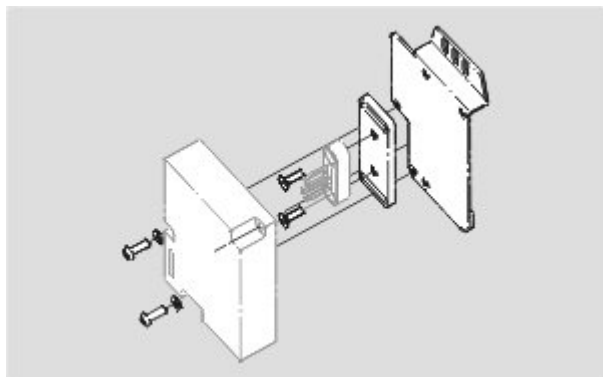


## Datasheet - Mounting set MS AZM 161 P

Solenoid interlock / AZM 161 / Accessories



Preferred typ



(Minor differences between the printed image and the original product may exist!)

### Ordering details

Product type description	Montagebausatz MS AZM 161 P
Article number	101150376
EAN Code	4030661287812
eCl@ss	27-27-92-91

### Global Properties

Permanent light	Montagebausatz
Weight	510

### Mechanical data

mounting	Mounting parallel to safety guard
----------	-----------------------------------

### notice

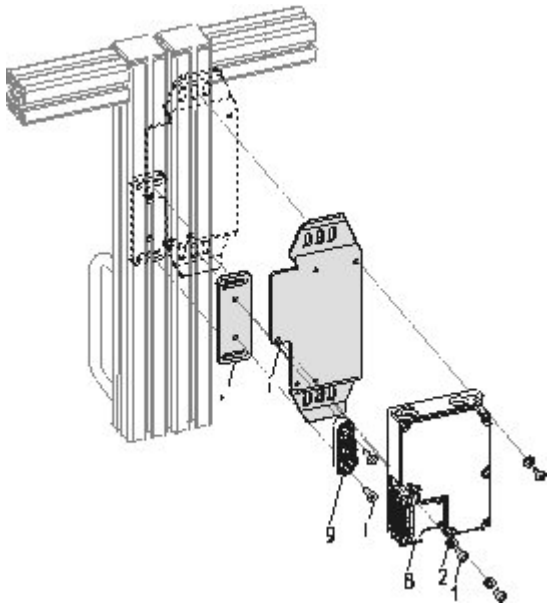
The mounting sets can only be used in conjunction with actuator AZM 161-B6.

### Included in delivery

Included in delivery

- Roundhead screw M5 x 16 per ISO 7380
- Roundhead screw M5 x 10 per ISO 7380
- Washer DIN 125-5,3
- U-profile AZM 161
- Mounting angle AZM 161
- Counter sunk screw M5 x 16 DIN 7991
- Mounting plate AZ 16/AZM 161





Product graph (exploded-view drawing)

---

K.A. Schmersal GmbH & Co. KG, Möddinghofe 30, D-42279 Wuppertal  
The data and values have been checked thoroughly. Technical modifications and errors excepted.  
Generiert am 13.02.2019 - 14:41:52h Kasbase 3.3.0.F.64I