

Datasheet - BPS 40S-1-C

Safety sensors / BNS 40S / Actuator



- Stainless steel enclosure
- Actuator and sensor on a mounting level

(Minor differences between the printed image and the original product may exist!)

Ordering details

| | |
|--------------------------|-------------|
| Product type description | BPS 40S-1-C |
| Article number | 101215266 |
| EAN Code | |
| eCl@ss | 27-27-92-17 |

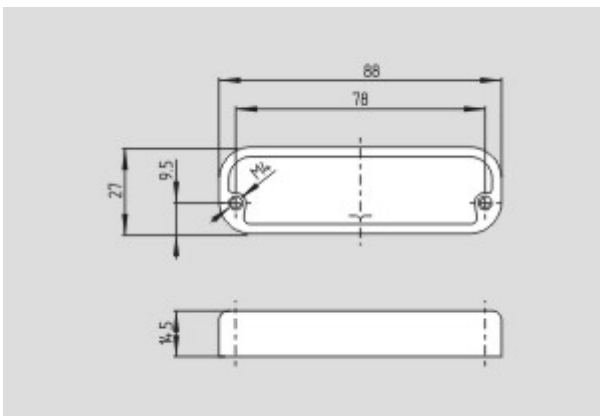
Global Properties

| | |
|--|-----------------------|
| Permanent light | Magnet |
| Materials | |
| - Material of the housings | Stainless steel (V4A) |
| Weight | |
| Concealed threaded holes on the back (Y/N) | Yes |

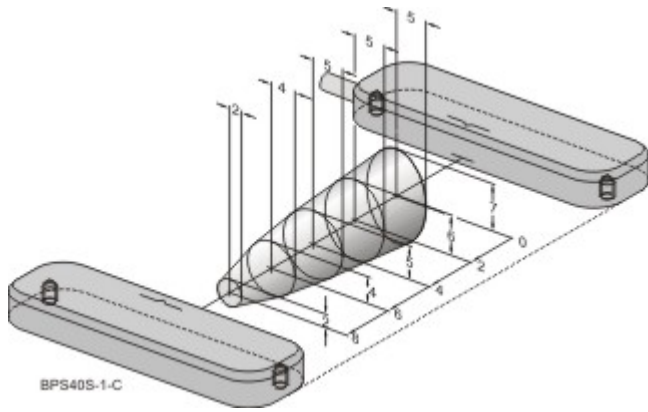
Dimensions

| | |
|-----------------------------|------|
| Dimensions of the actuators | |
| - Width of the actuator | 88 |
| - Height of the actuator | 27 |
| - Length of the actuator | 14.5 |

Images



Dimensional drawing (basic component)



Characteristic curve

K.A. Schmersal GmbH & Co. KG, Möddinghofe 30, D-42279 Wuppertal

The data and values have been checked thoroughly. Technical modifications and errors excepted.

Generiert am 13.02.2019 - 14:26:56h Kasbase 3.3.0.F.64I